

1

2

3

4

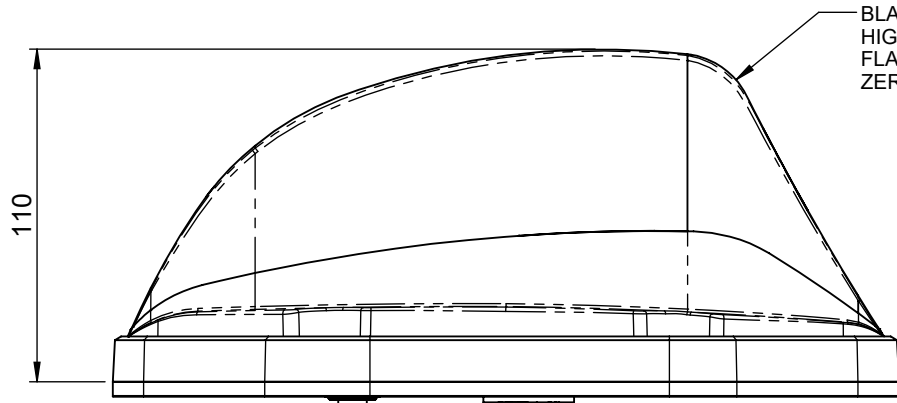
5

A

B

C

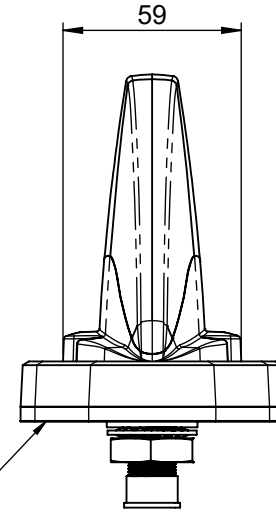
D



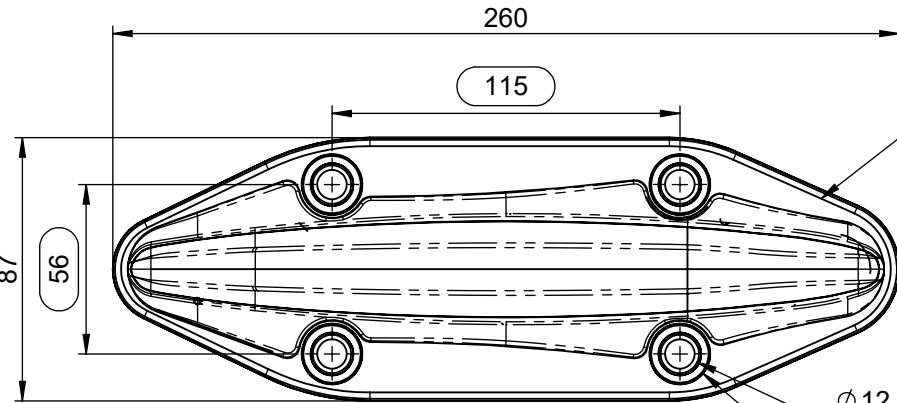
BLACK ULTEM PEI 1000 COVER:-
HIGH IMPACT, UV STABILISED,
FLAME RETARDANT UL94-V0
ZERO HALOGEN

TNC SOCKET
GPS/GNSS
SURGE
PROTECTION.
PROTECTIVE CAP
SUPPLIED.

N-TYPE SOCKET DC GROUNDED.
PROTECTIVE CAP SUPPLIED.



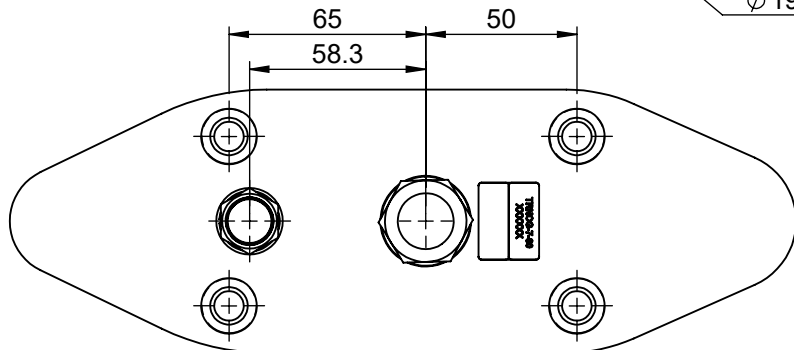
IP SEALING GASKET



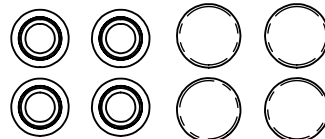
ALUMINIUM ALLOY
BASE WITH ABRASION
AND CORROSION
PROTECTION

Ø 12.4 MOUNTING HOLE TYP.

Ø 19.7 C/BORE TYP.

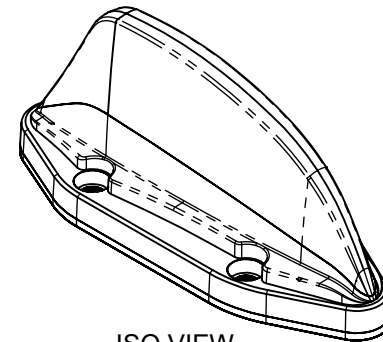


4 x M12 SEALING
WASHERS AND BOLT
CAPS SUPPLIED LOOSE



2 NOTES:

1. SAMPLES MUST BE APPROVED BY PANORAMA ANTENNAS Q.C. BEFORE COMMENCING PRODUCTION.
2. ALL MATERIALS SUPPLIED MUST BE RoHS2 (DIRECTIVE 2011/65/EU) COMPLIANT AND MUST NOT CONTAIN ANY SUBSTANCES OF VERY HIGH CONCERN (SVHCs) LISTED UNDER REACH OR POLY-AROMATIC HYDROCARBONS (PAHs), OR PERSISTENT ORGANIC POLLUTANTS (POPs) CONTROLLED BY THE STOCKHOLM CONVENTION.



ISO VIEW
SCALE 1:4

DRG. No. **TRNCG-7-60** SHEET 1 OF 1

PRODUCT/ASSEMBLY
TRANSIT ANTENNA

DESCRIPTION
TRAIN ANT 698-960/1710-6000MHz/GPS

MATERIAL
N/A

FINISH
N/A

WEIGHT
1094.59g

APPROVED **KD** DO.CHECK **IC**

SCALE **1:2.5** DIMENSIONS IN mm

DO NOT SCALE 3RD ANGLE PROJECTION

REV.	DESCRIPTION	DATE	DRN
RD107 A	INITIAL ISSUE.	04/03/2016	AR
RD107 B	INTERNALS UPDATED.	16/05/2016	AR
01019 1	PRODUCTION ISSUE	16/06/2016	AR
01019 2	INTERNAL COMPONENTS AND NOTES UPDATED.	18/01/2017	AR

PCN REV. DESCRIPTION DATE DRN

TOLERANCES UNLESS OTHERWISE STATED

0 DEC. PLACE ±0.5 2 DEC. PLACES ±0.1

1 DEC. PLACE ±0.2 ANGULAR ±1°

△ DENOTES LATEST ISSUE CHANGES ○ DENOTES CRITICAL VALUE



THIS DOCUMENT MUST NOT BE COPIED OR DISCLOSED TO A THIRD PARTY WITHOUT THE WRITTEN CONSENT OF PANORAMA ANTENNAS LTD.

© 2016

A4