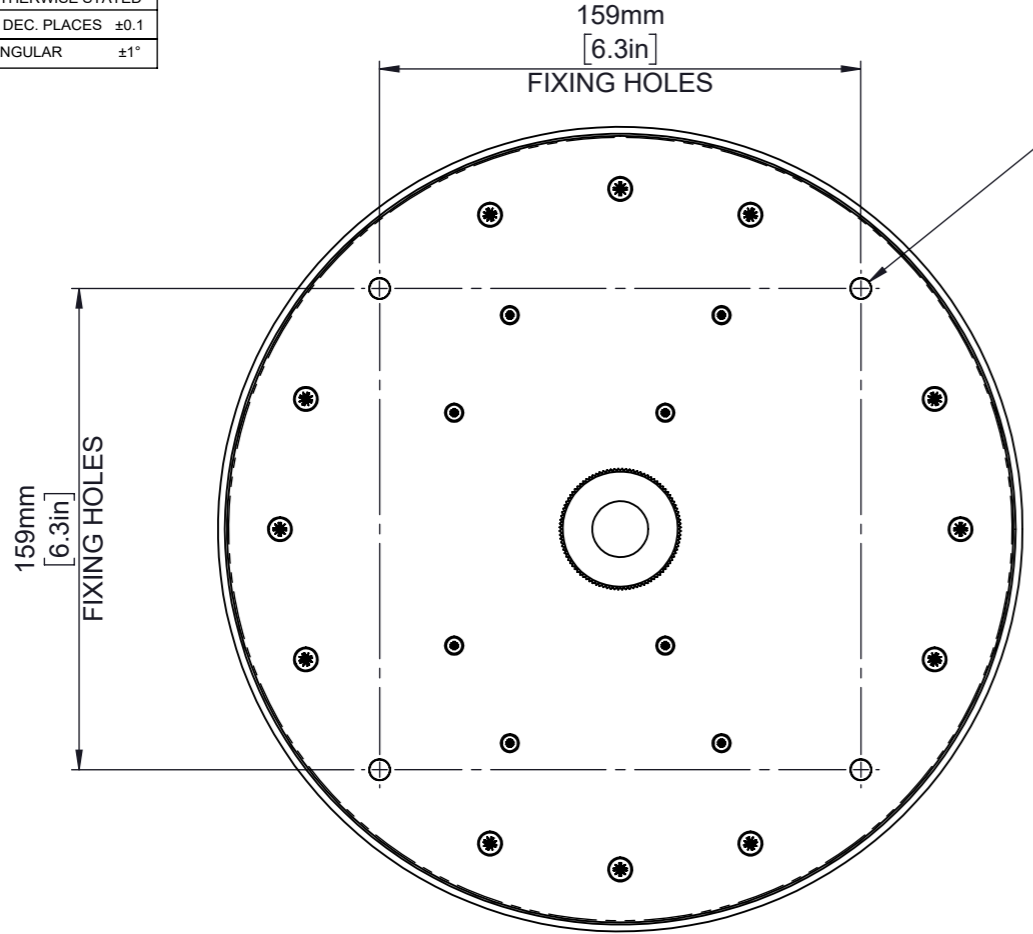


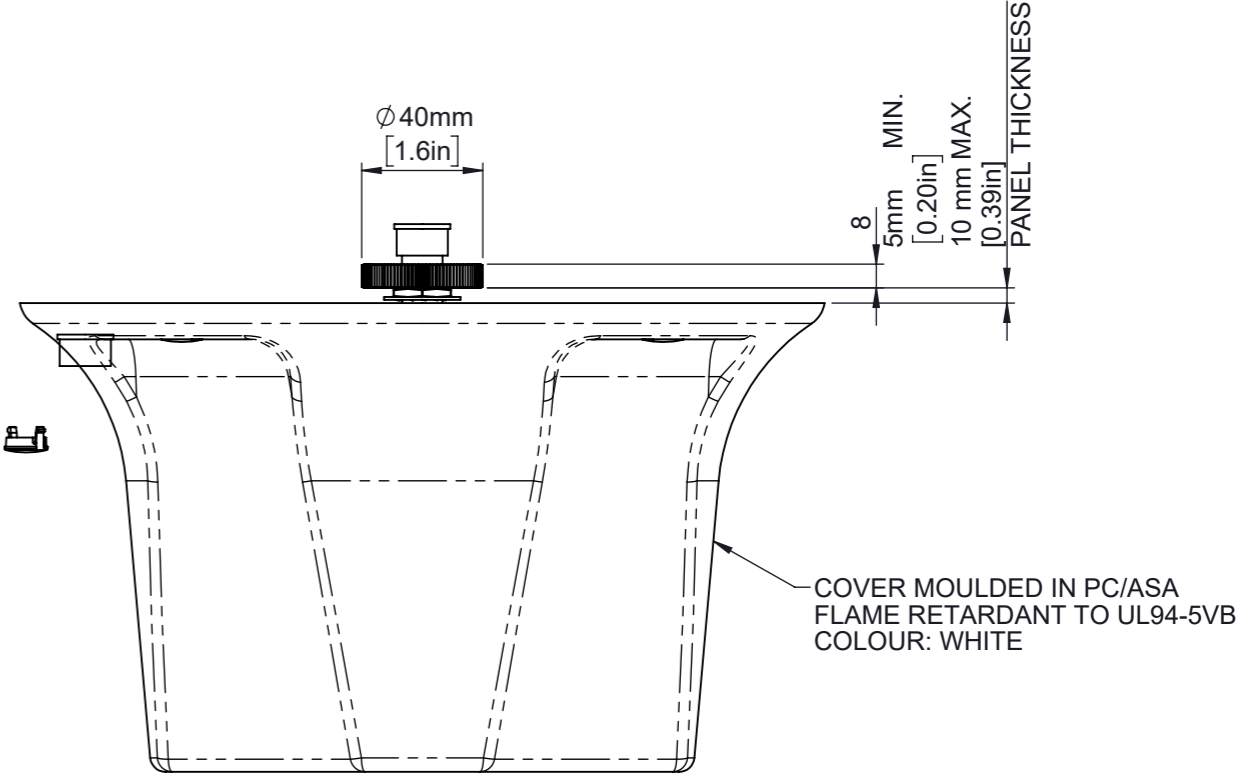
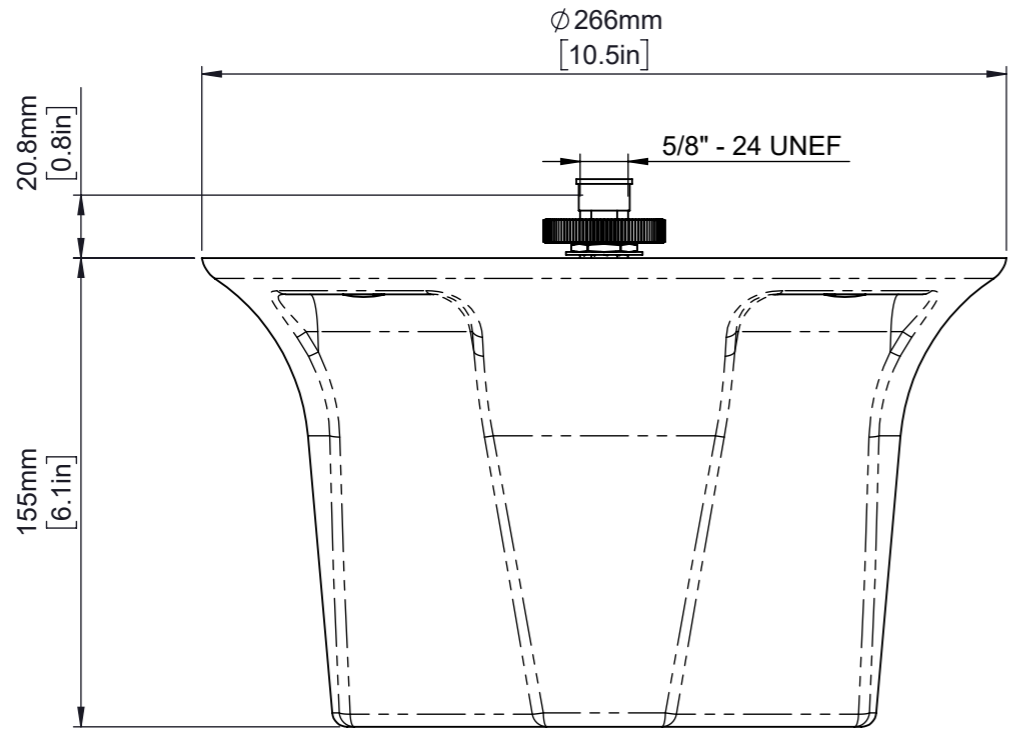
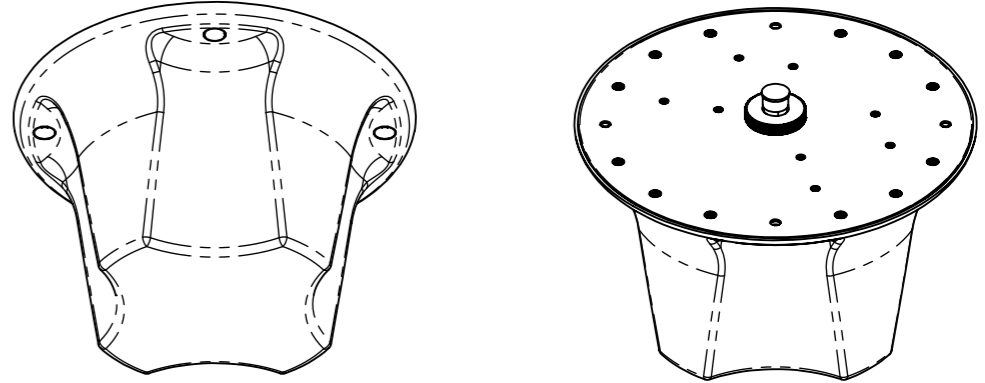
TOLERANCES UNLESS OTHERWISE STATED

0 DEC. PLACE	±0.5	2 DEC. PLACES	±0.1
1 DEC. PLACE	±0.2	ANGULAR	±1°

FREQUENCIES:
162 - 174 MHz
380 - 430 MHz



Ø 7.0 CEILING MOUNTING HOLES IN 4 POSNS TO SUIT M6 AND 1/4" SCREWS



SCREW COVER CAPS (x4) SUPPLIED LOOSE.

- NOTES:
- SAMPLES MUST BE APPROVED BY PANORAMA ANTENNAS Q.C. BEFORE COMMENCING PRODUCTION.
 - ALL MATERIALS SUPPLIED MUST BE RoHS2 (DIRECTIVE 2011/65/EU) COMPLIANT AND MUST NOT CONTAIN ANY SUBSTANCES OF VERY HIGH CONCERN (SVHCs) LISTED UNDER REACH OR POLY-AROMATIC HYDROCARBONS (PAHs), OR PERSISTENT ORGANIC POLLUTANTS (POPs) CONTROLLED BY THE STOCKHOLM CONVENTION.

PRODUCT/ASSEMBLY 1007 - IN BUILDING ANTENNAS				DESCRIPTION CEILING MOUNT H7/TET N SOC			
MATERIAL N/A				APPROVED KD			
FINISH N/A				D.O. CHECK PE		SCALE 1:2.5	
01019 1		PRODUCTION ISSUE		08/03/2018		DIMENSIONS IN mm	
PCN	REV.	DESCRIPTION	DATE	DRN.	WEIGHT 1024.84g SHEET 1 OF 1		

PANORAMA ANTENNAS