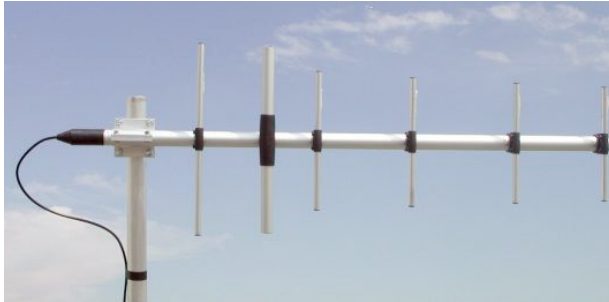


YG-TET-9

Die YG-TET-9 ist eine YAGI Richtantenne, bestehend aus einem gespeistem Dipol, einem Reflektor und 4 Direktoren.

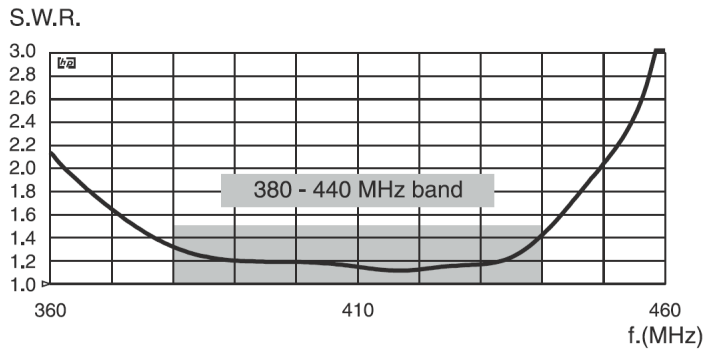
Die Antenne ist für Systeme im Frequenzbereich von 380-440MHz geeignet.
z.B.: 70cm-Band / TETRA / CDMA-450, LTE-450, 433MHz (Sigfox,Lora, u.Ä.)



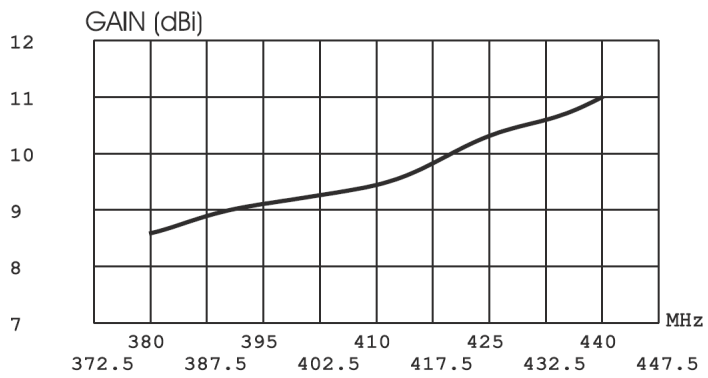
Electrical Data	YG-TET-9
Type	6 elements Yagi
Frequency Range @SWR <1.5	380-470MHz
Impedance	50 OHM
Radiation (H-plane)	70°
Radiation (E-plane)	55°
Front to back ratio	>17 dB
Polarisation	Linear
Gain	8.85 dBd - 11 dBi
MAX Power	150 Watts
Grounding Protection	All metal parts are DC-grounded
Connector	N Jack (female) Connector

Mechanical Data	YG-TET-9
Material	Eloxiertes Aluminium (6063-T5) EPDM-Gummi verchromtes Messing
Windlast bei 150km/h	100 N
Luftwiderstand	150km/h
Windoberfläche	0.078 m ²
Maße	1180x400mm
Biegeradius	1050mm
Gewicht	1540g
Betriebstemperatur	-40°C bis +60°C
Mastmontage	Durchmesser 35-52mm

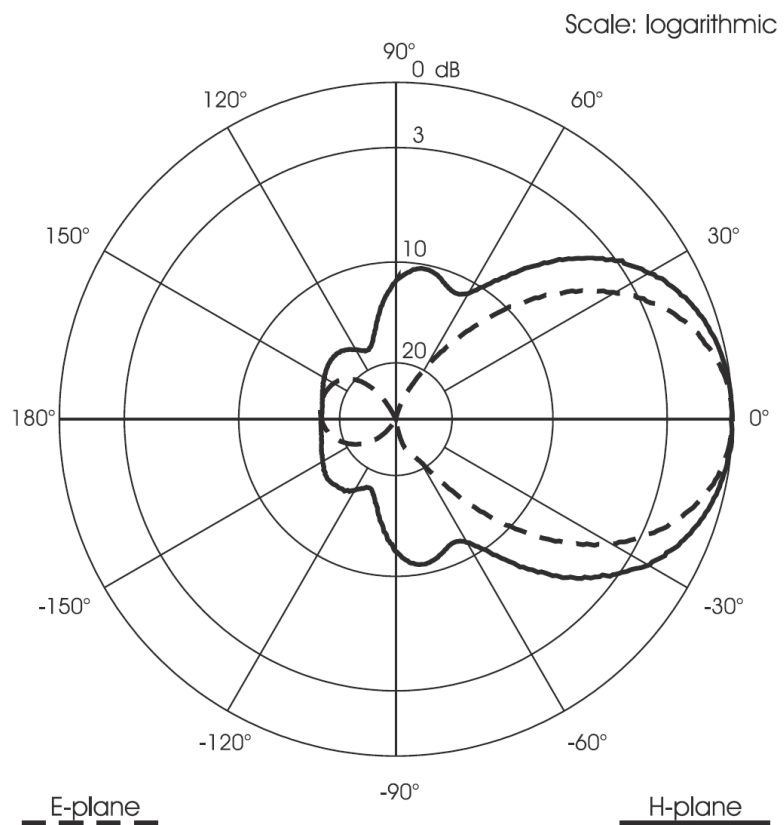
TYPICAL S.W.R. RESPONSE



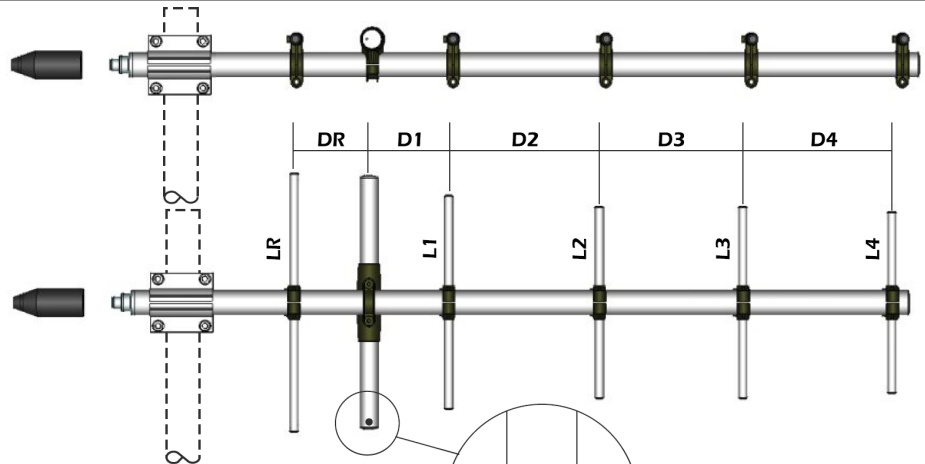
TYPICAL GAIN DIAGRAM vs FREQUENCY



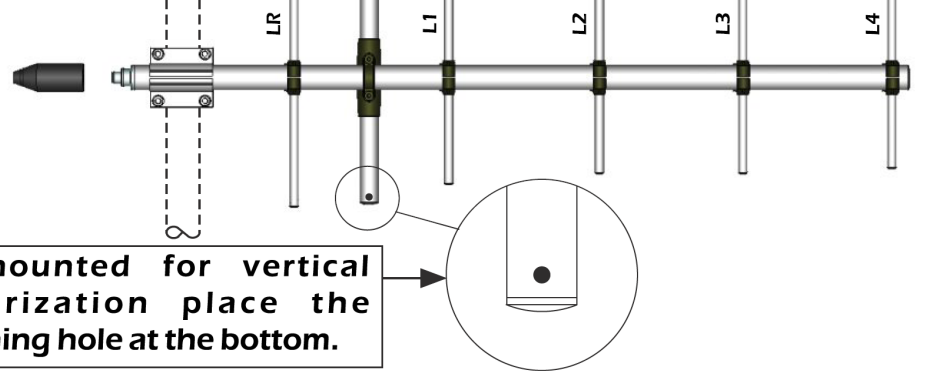
TYPICAL RADIATION PATTERN at mid-band



Correct mounting
for horizontal
polarization



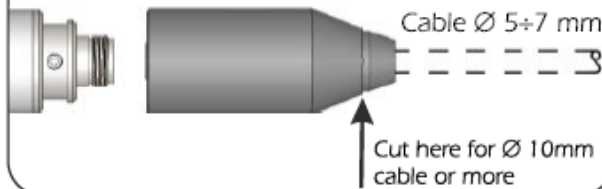
Correct mounting
for vertical
polarization



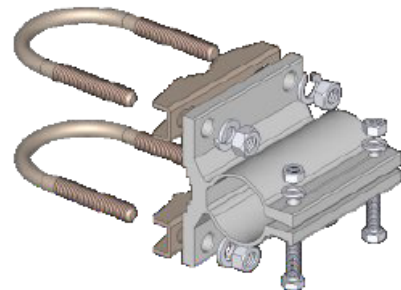
If mounted for vertical polarization place the draining hole at the bottom.

		LR	L1	L2	L3	L4	DR	D1	D2	D3	D4
WY 380-10N	(mm)	396	288	271	260	250	130	109	201	230	207
	(in)	15.6	11.3	10.7	10.2	9.8	5.1	4.3	7.9	9.1	8.1
WY 400-10N	(mm)	371	271	255	243	236	130	102	190	218	195
	(in)	14.6	10.7	10.0	9.6	9.3	5.1	4.0	7.5	8.6	7.7

Connector protection cap



Standard Mounting Bracket



Spare parts: p/n SA197

Materials: extruded aluminum
Hardware: stainless & zinc plated steel
Dimensions : 80 x 76 x 65 mm
Weight: 460 gr

Part list	
Q.ty	Description
1	Extruded aluminium bracket
2	Steel bracket
2	M8x200 U-bolt
4	M8 Grower washer
4	M8 Hexagonal nut
2	M6x20 Hexagonal head screw
2	M6 Grower washer
2	M6 Hexagonal nut