

Inbuilding

CM-H7-TET-NJ

Dual Band Ceiling Mount Antenna

26/06/2014 VA



Covers VHF and UHF frequencies

Ceiling mount design

Low smoke halogen free flame retardant radome

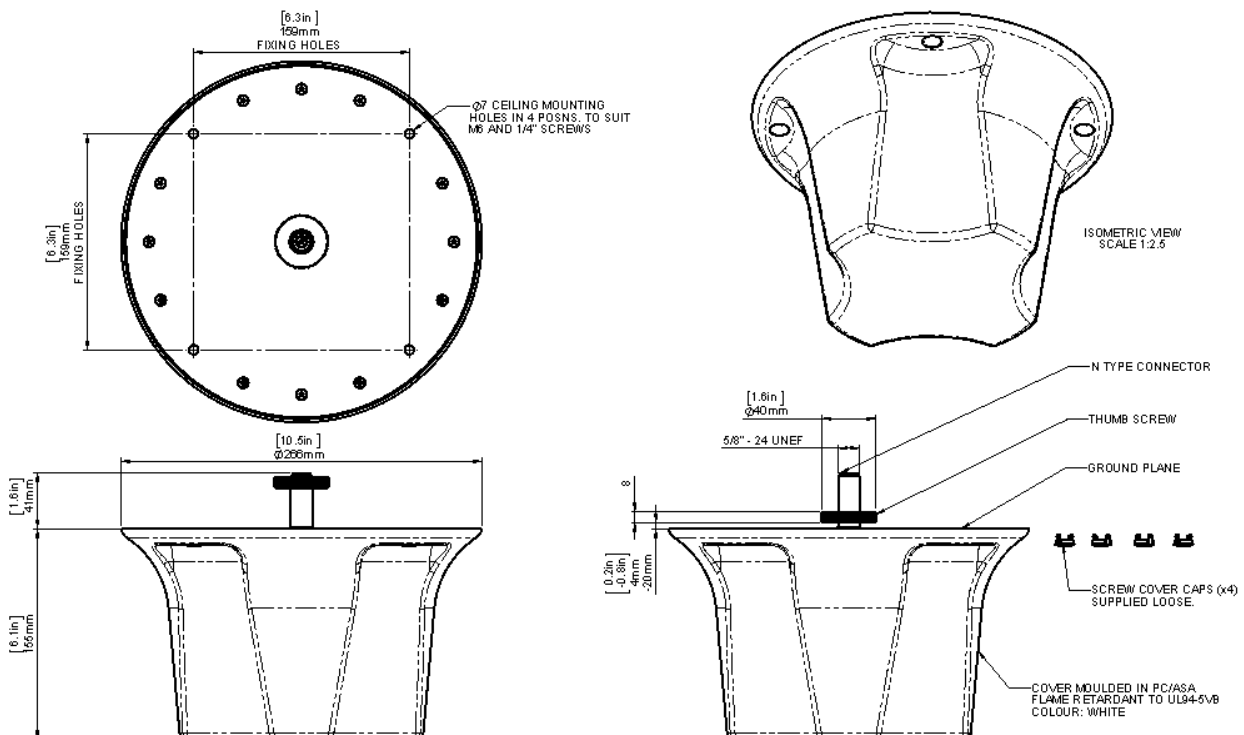
The CM-H7-TET-NJ is a dual band VHF/UHF ceiling mounted antenna designed for short range inbuilding, DAS and network infill applications.

The CM-H7-TET-NJ combines omni-directional VHF and UHF coverage in a single feed enclosure minimising cable runs and allowing UHF radio systems to be integrated with existing VHF systems.

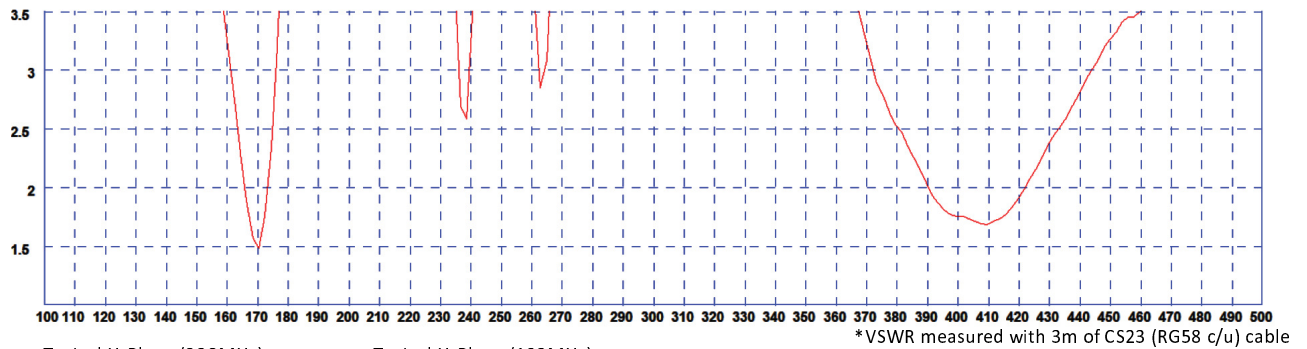
The ceiling mount enclosure is weather-proof and constructed from flame retardant, low smoke, halogen free PC/ASA.

The antenna is mounted via the integrated N type connector or optional screw fixings.

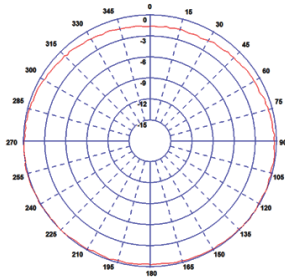
Technical Specification



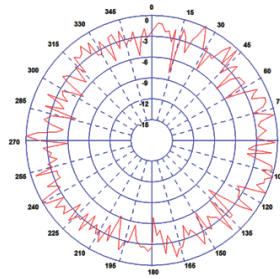
Typical VSWR



Typical H-Plane (380MHz)



Typical H-Plane (168MHz)



Part No.		CM-H7-TET-NJ
Electrical Data		
Frequency Range (MHz)		162-174 / 380-430
Operational bands		H7 / TET
Radiation pattern		Omni-directional
*Typical VSWR		≤ 2.5:1
Peak Gain	153-163MHz	-2dBi
	380-470MHz	-2dBi
Max input power (W)		50 Watts
Impedance		50Ω
Mechanical Data		
Dimensions (mm)	Height	155mm (6.1")
	Diameter	266mm (10.5")
Operating temp (°C)		-30° / +70°C (-22° / 158°F)
Material		Geloy PC/ASA (meets UL746C f1)
Flame Retardance		UL94-V0 (chlorine and bromine free)
Colour		White
Mounting Data		
Fixing		Ceiling mount
Depth (mm)		41 (1.6")
Termination		N Socket



Panorama Antennas Ltd
Frogmore, London, SW18 1HF, United Kingdom

T: +44 (0)20 8877 4444
F: +44 (0)20 8877 4477
E: sales@panorama-antennas.com
www.panorama-antennas.com

Waiver: The data given above is indicative of the performance of the product/s under particular conditions and does not imply a guarantee of performance or a warranty of fitness for any particular purpose. These specifications are subject to change without notice.

Copyright © Panorama Antennas Ltd. All rights reserved.