

Inbuilding

WM-H7-TET-NJ

Dual Band Wall Mount Antenna

05/12/2013 V1



- Covers VHF and UHF frequencies
- Mast mount or wall mount
- Low smoke halogen free flame retardant radome

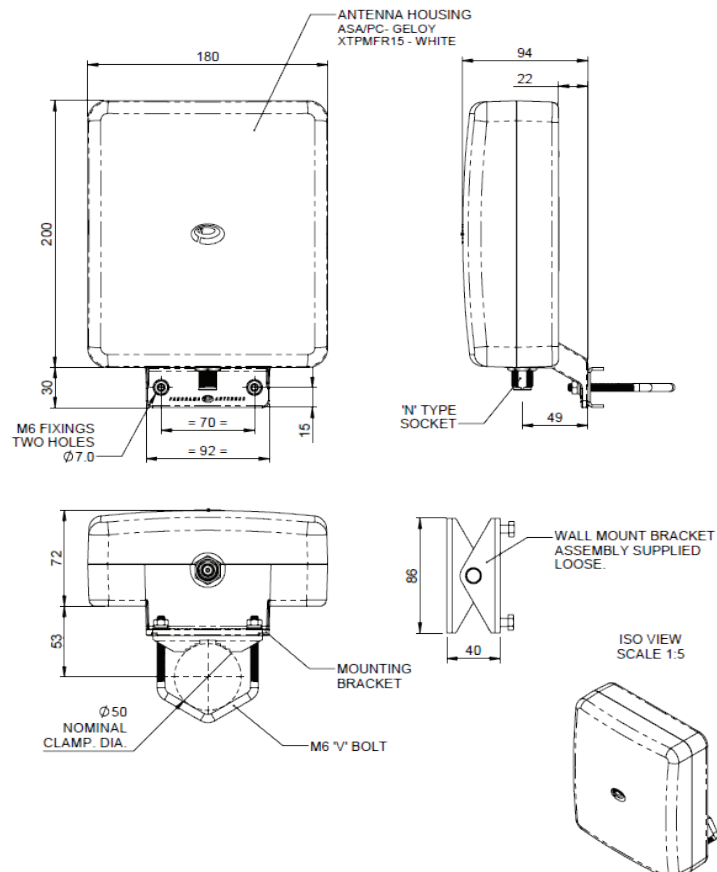
The WM-H7-TET-NJ is a dual band VHF/UHF wall mounted antenna designed for inbuilding, DAS and network infill applications.

The WM-H7-TET-NJ combines omni-directional VHF and UHF coverage in a single feed enclosure minimising cable runs and allowing UHF radio systems to be seamlessly integrated with existing VHF systems.

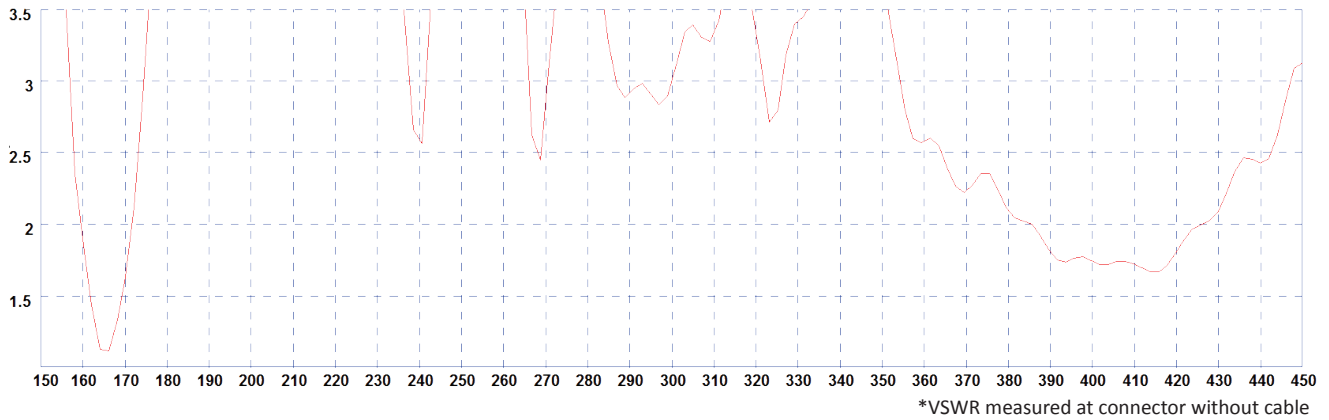
The compact wall mount enclosure is weather-proof and constructed from flame retardant, low smoke, halogen free PC/ASA.

It is supplied with U-bolt clamps for mast mounting and adjustable wall mount bracketry.

Technical Specification

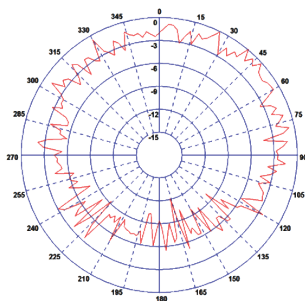


*Typical VSWR

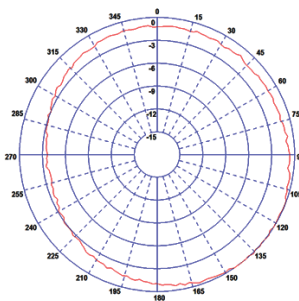


*VSWR measured at connector without cable

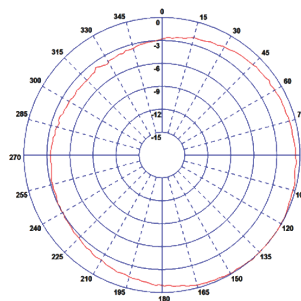
Typical H-Plane (168MHz)



Typical H-Plane (380MHz)



Typical H-Plane (430MHz)



Part No.

WM-H7-TET-NJ

Electrical Data

Frequency Range (MHz)	162-174 / 380-430
Operational bands	H7 / TET
Radiation pattern	Omni-directional
VSWR	< 2.5:1
Peak Gain	162-174MHz: -2dBi 380-430MHz: 1dBi
Max input power (W)	50 Watts
Impedance	50Ω

Mechanical Data

Dimensions (mm)	Height	230mm (9.05")
	Width	180mm (7.08")
	Depth	94mm (3.7")
Operating temp (°C)	-30° / +70°C (-22° / 158°F)	
Material	Geloy PC/ASA (meets UL746C f1)	
Flame Retardance	UL94-V0 (chlorine and bromine free)	
Colour	White	

Mounting Data

Fixing	Pole Mount / Wall Mount
Pole Diameter (mm)	20-50 mm (0.8 - 1.96")
Depth (mm)	41 (1.6")
Termination	N Socket



Panorama Antennas Ltd
Frogmore, London, SW18 1HF, United Kingdom

T: +44 (0)20 8877 4444
F: +44 (0)20 8877 4477
E: sales@panorama-antennas.com
www.panorama-antennas.com

Waiver: The data given above is indicative of the performance of the product/s under particular conditions and does not imply a guarantee of performance or a warranty of fitness for any particular purpose. These specifications are subject to change without notice.
Copyright © Panorama Antennas Ltd. All rights reserved.