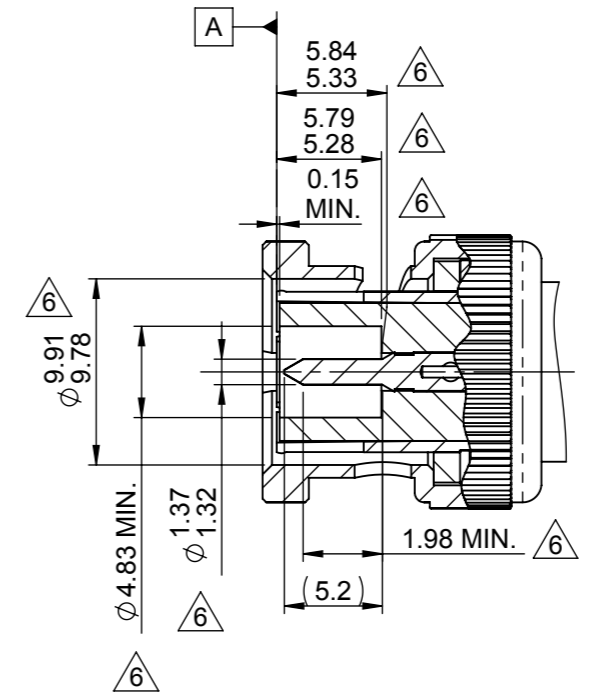
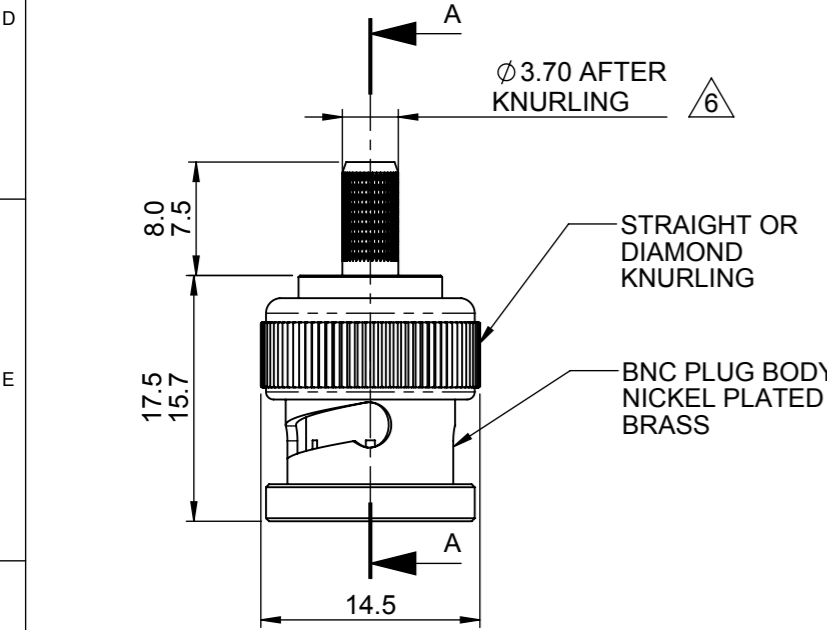
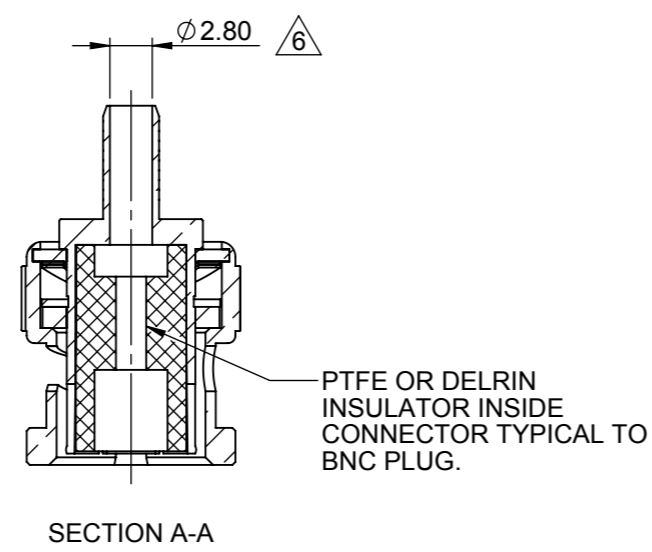
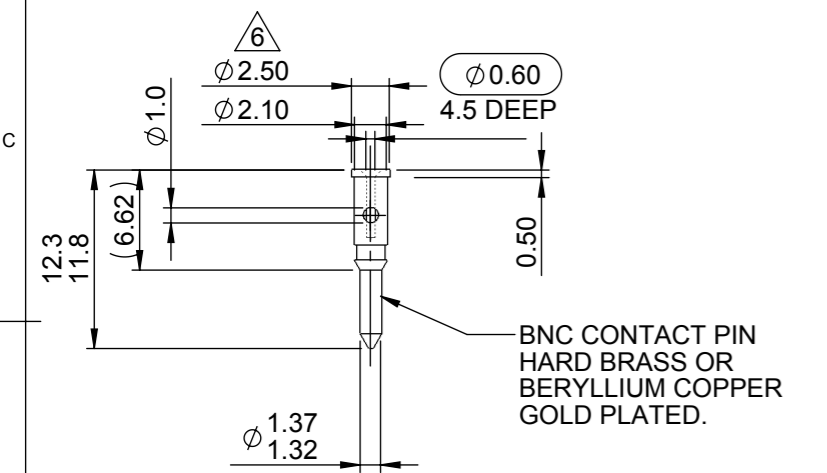
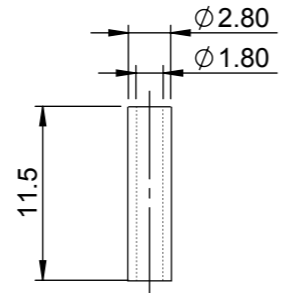
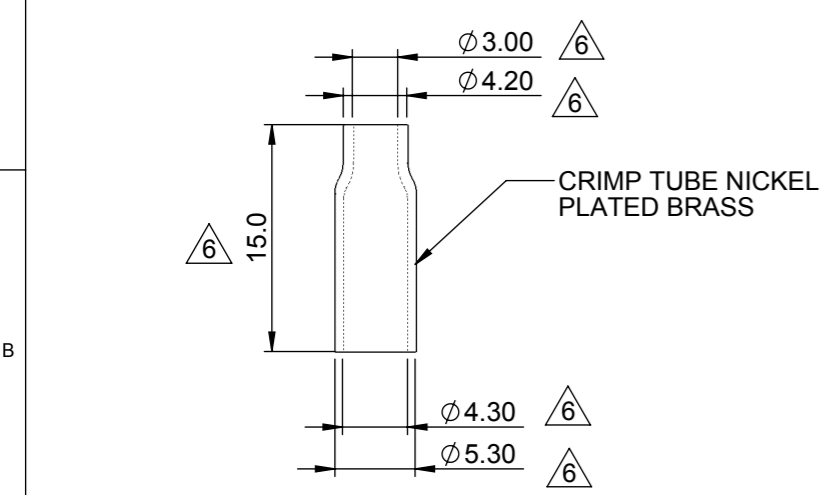
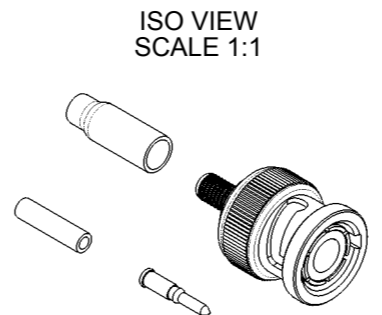


TOLERANCES UNLESS OTHERWISE STATED			
0 DEC. PLACE	±0.5	2 DEC. PLACES	±0.1
1 DEC. PLACE	±0.2	ANGULAR	±1°



CONNECTOR ASSEMBLY MUST CONFORM TO THESE STANDARD INTERFACE DIMENSIONS.

- NOTES:
- IMPEDANCE: 50Ω
 - CONTACT PIN MUST REMAIN CAPTIVE AFTER ASSEMBLY OF CONNECTOR.
 - PLUGS TO BE INDIVIDUALLY PACKED.
 - FINAL CONNECTOR ASSEMBLY MUST CONFORM TO STANDARD INTERFACE DIMENSIONS SHOWN.
 - SAMPLES MUST BE APPROVED BY PANORAMA ANTENNAS Q.C. BEFORE COMMENCING PRODUCTION.
 - ALL THREADS TO BE FREE FROM RESTRICTION ALONG ENTIRE LENGTH AFTER PLATING.
 - ALL DIMENSIONS APPLY AFTER PLATING.
 - ALL MATERIALS USED MUST BE RoHS COMPLIANT.



PCN	REV.	DESCRIPTION OF CHANGE	DATE	DRAWN
01019	6	INTERFACE AND CRIMP DIMENSIONS CORRECTED. NOTES AND PIN DIMENSION UPDATED.	06/01/2014	PE
01019	5	REDRAWN IN 2D, 3D DIMENSIONS UPDATED	31/07/2013	RF

REVISIONS

PRODUCT/ASSEMBLY CONNECTORS	DESCRIPTION BNC CRIMP PLUG FOR RG174 COAX CABLE			
MATERIAL N/A	APPROVED KD	D.O. CHECK ATB	SCALE 2:1	DIMENSIONS IN mm
FINISH N/A				
WEIGHT 7.6g				