

868MHz Panel Mount Antenna

LPBE-868-2SP

LPBE-868-2SP

- Robust panel mount antenna
- Efficient 868MHz coverage

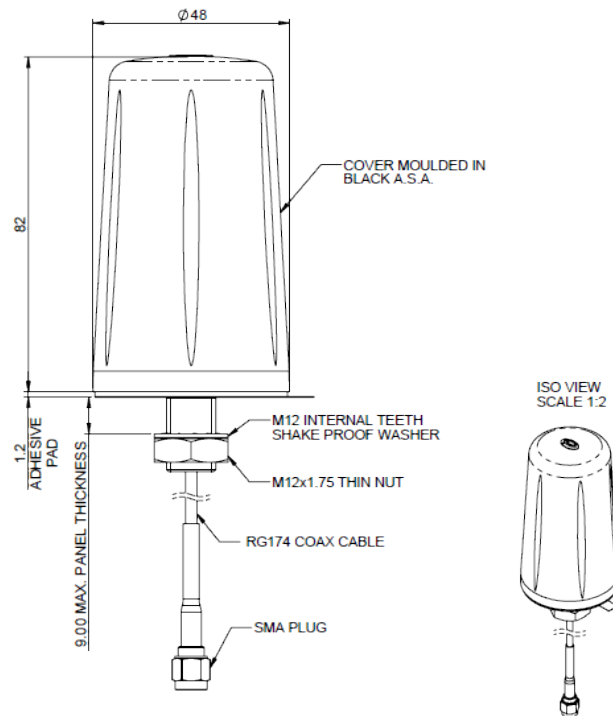


The Panorama LPBE is a range of low cost high performance antennas for challenging applications. At only 82mm (3.22") high and protected by a robust high impact radome the antenna is almost impervious to daily wear, tear and impact.

The LPBE offers excellent performance across a wide bandwidth when mounted on a 300mm diameter groundplane or optional accessory bracket.

Supplied with a convenient adhesive pad and flexible RG174 cable the LPBE is easy to install and compatible with a large range of modems.

Technical Drawing



868MHz Panel Mount Antenna

LPBE-868-2SP

Product Data

Part No.		LPBE-868-2SP
Electrical Data		
Frequency Range (MHz)		868 MHz
Peak Gain*		4dBi
Typical VSWR*		<2:1
Polarisation		Vertical
Pattern		Omni-directional
Impedance		50Ω
Max input power (W)		20
Mechanical Data		
Dimensions (mm)	Height	82 (41")
	Diameter	40 (1")
Operating Temp (°C)		-30° / +70°C (-30° / 158°F)
Material		ASA
Colour		Black
Mounting Data		
Fixing		M12 Panel Mount
Cable Data		
Cable Type		RG174
Diameter (mm)		2.8 (0.11")
Length (m)		2 (6.6")
Termination		SMA (m)

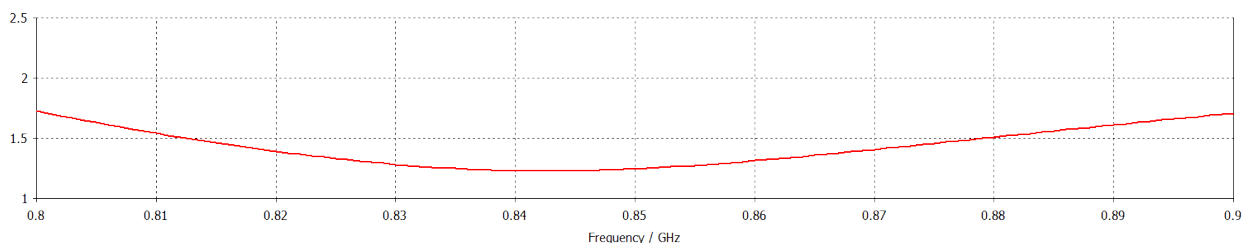
* Peak gain simulated in CST microwave studio on a ground plane excluding cable loss

868MHz Panel Mount Antenna

LPBE-868-2SP

Electrical Data

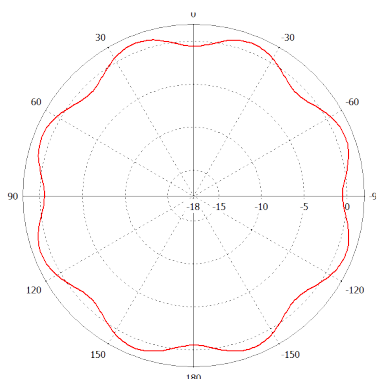
Typical VSWR*



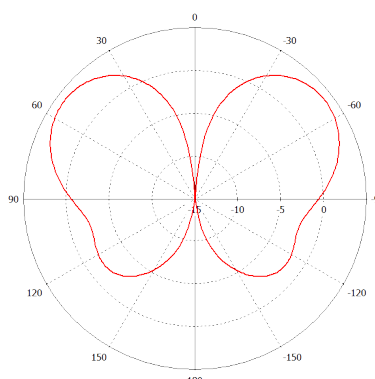
*VSWR measured in free space with 2m of RG174 cable

Patterns

Typical H plane (868MHz)



Typical H plane (868MHz)



Patterns simulated in CST microwave studio on a groundplane excluding cable.