

# 868MHz Ultra Low Profile Antenna

LPAB-868-2SP

## LPAB-868-2SP

- Robust panel mount antenna
- Efficient 868MHz coverage
- Ultra low profile - Only 15mm high

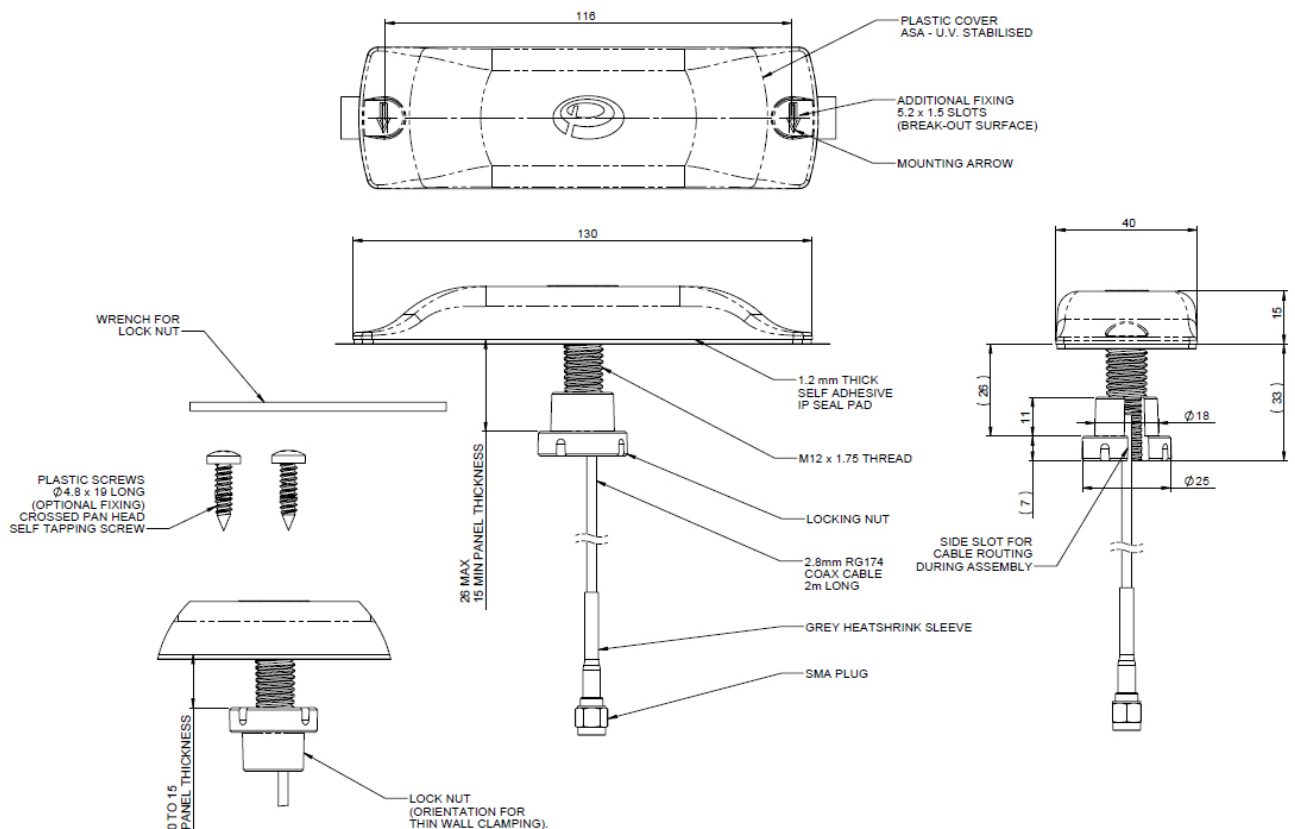


The Panorama LPAB range of antennas combine ergonomic style with sophisticated engineering. The rugged design features a solid impact resistant and weatherproof, plastic housing.

The low profile housing gives a high degree of vandal resistance making it perfect for vending machines or other telemetry devices in exposed locations that require reliable communications. The antenna is secured in place by a reversible locking nut allowing secure fitment to panels of between 1mm (0.04") and 26mm (1") thick.

The antenna offers ground-plane independent omni directional performance across up to three bands making it a versatile solution for a number of applications.

### Technical Drawing



# 868MHz Ultra Low Profile Antenna

LPAB-868-2SP

## Product Data

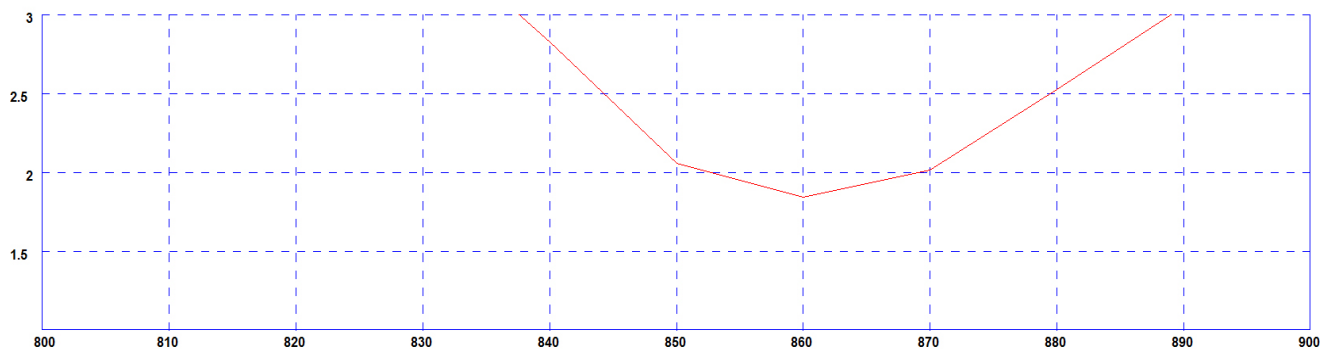
|                        |        |                             |
|------------------------|--------|-----------------------------|
| <b>Part No.</b>        |        | LPAB-868-2SP                |
| <b>Electrical Data</b> |        |                             |
| Frequency Range (MHz)  |        | 868 MHz                     |
| Peak Gain †            |        | 2dBi                        |
| Typical VSWR*          |        | <2.5:1                      |
| Polarisation           |        | Vertical                    |
| Pattern                |        | Omni-directional            |
| Impedance              |        | 50Ω                         |
| Max input power (W)    |        | 20                          |
| <b>Mechanical Data</b> |        |                             |
| Dimensions (mm)        | Height | 15 (0.6")                   |
|                        | Length | 130 (5.1")                  |
|                        | Width  | 40 (1.5")                   |
| Operating Temp (°C)    |        | -30° / +70°C (-30° / 158°F) |
| Material               |        | ASA                         |
| Colour                 |        | Grey                        |
| <b>Mounting Data</b>   |        |                             |
| Fixing                 |        | M12 Panel Mount             |
| <b>Cable Data</b>      |        |                             |
| Cable Type             |        | RG174                       |
| Diameter (mm)          |        | 2.8 (0.11")                 |
| Length (m)             |        | 2 (6.6")                    |

# 868MHz Ultra Low Profile Antenna

LPAB-868-2SP

## Electrical Data

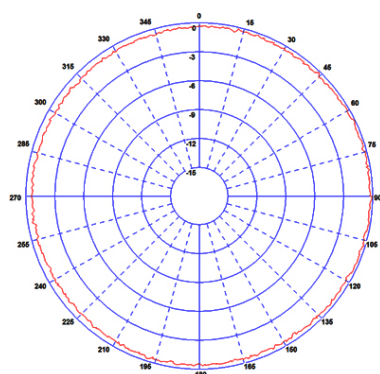
Typical VSWR\*



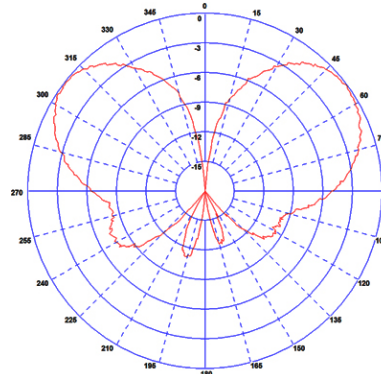
\*VSWR measured in free space with 2m of RG174 cable

## Patterns

Typical H plane (868MHz)



Typical E plane (868MHz)



\*Polar Plots measured on a 600x600mm (2'x2') ground plane

Waiver: The data given above is indicative of the performance of the product/s under particular conditions and does not imply a guarantee of performance. These specifications are subject to change without notice.