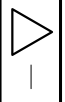




PROJECTION

DO NOT SCALE



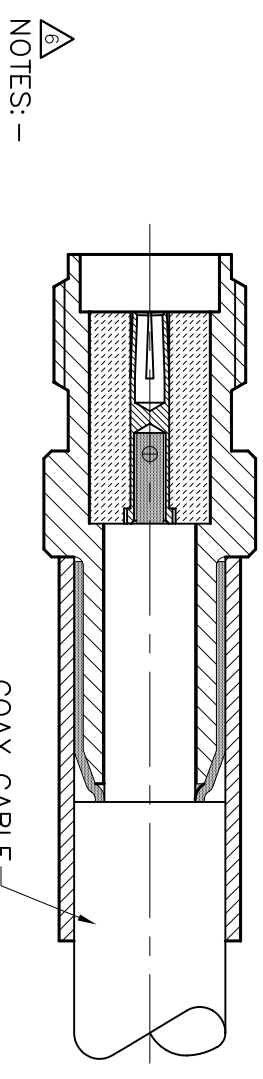
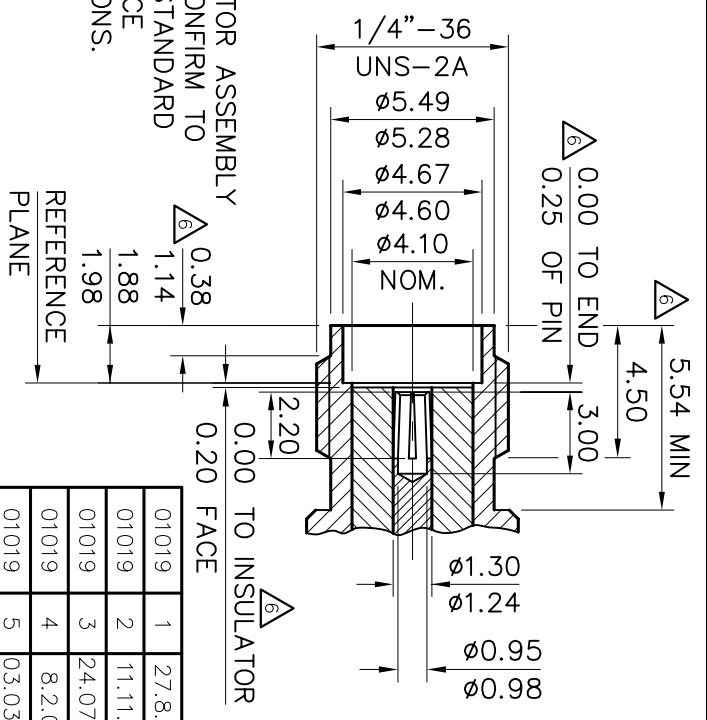
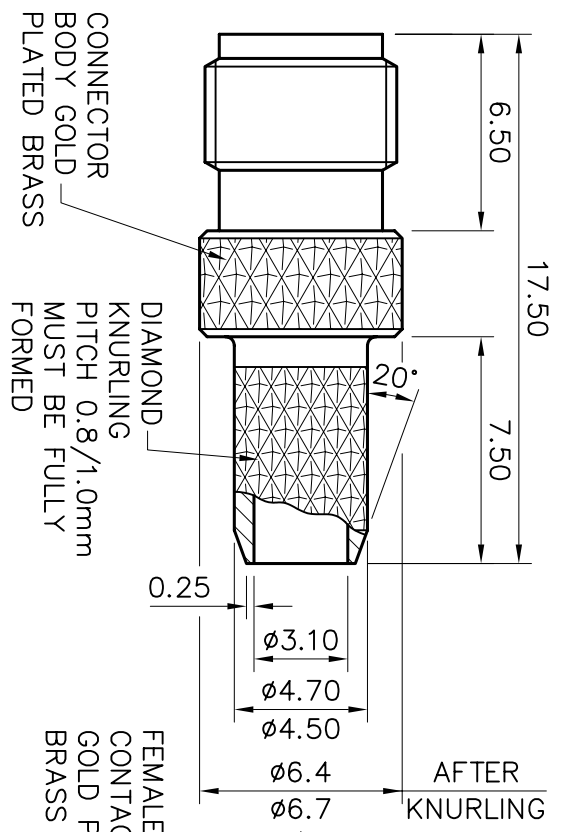
DENOTES LATEST ISSUE CHANGES

© 2003 A4

THIS DOCUMENT MUST NOT BE COPIED OR DISCLOSED TO A THIRD PARTY WITHOUT THE WRITTEN CONSENT OF PANORAMA ANTENNAS LTD.

DRG. No.

SCI-SMA-JC10



- NOTES: -
1. ALL MATERIALS USED MUST BE ROHS COMPLIANT.
 2. SAMPLES MUST BE APPROVED BY PANORAMA ANTENNAS Q.C. BEFORE COMMENCING WITH SUPPLIES.

CONNECTOR ASSEMBLY MUST CONFIRM TO THESE STANDARD INTERFACE DIMENSIONS.

01019	1	27.8.03	A.J.	TOLERANCES UNLESS OTHERWISE STATED
01019	2	11.11.03	K.D.	0 DEC. PLACE ±0.5 2 DEC. PLACES ±0.1
01019	3	24.07.08	K.D.	1 DEC. PLACE ±0.2 ANGULAR ±1°
01019	4	8.2.09	A.J.	DRAWN A.G.
01019	5	03.03.09	K.D.	DO.CHECK A.J.
01019	6	29.09.11	K.D.	SCALE 4: 1 & 8: 1
C/NOTE	ISSUE	DATE	APPROVAL	FILE
				SCI-SMA-JC10

TITLE
SMA CRIMP JACK FOR 5mm COAX CABLE

MATERIAL
FINISH

