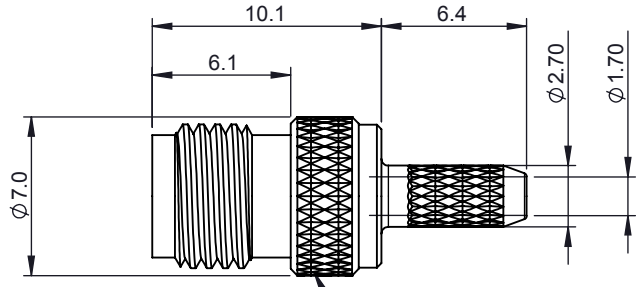
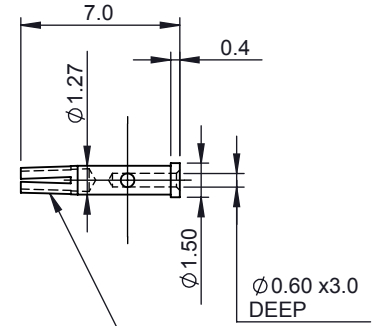


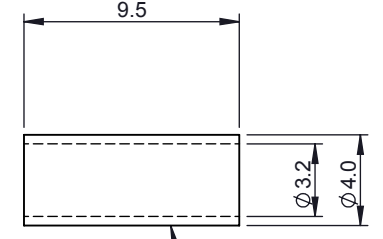
TOLERANCES UNLESS OTHERWISE STATED			
0 DEC. PLACE	±0.5	2 DEC. PLACES	±0.1
1 DEC. PLACE	±0.2	ANGULAR	±1°



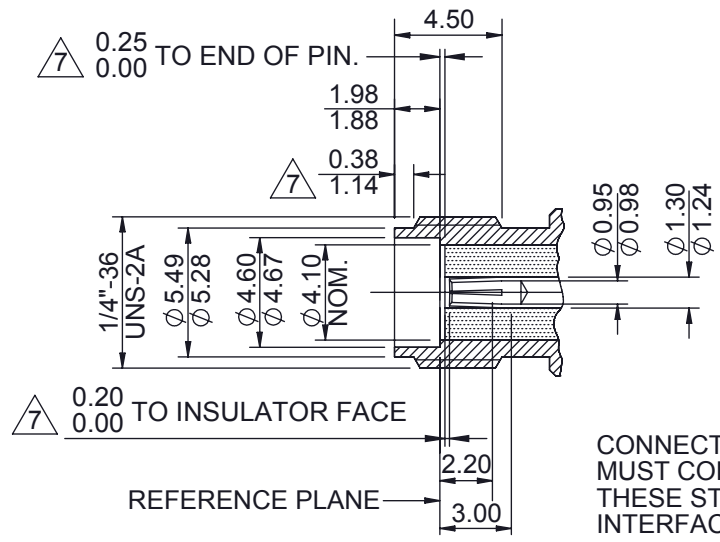
SMA JACK BODY
GOLD PLATED
BRASS, WITH
P.T.F.E
INSULATOR INSIDE



CONTACT PIN
GOLD PLATED

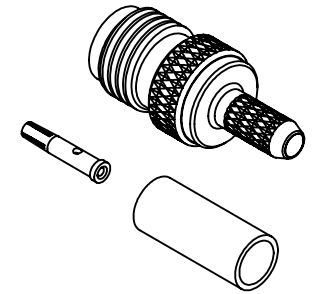


CRIMP TUBE
GOLD PLATED



CONNECTOR ASSEMBLY
MUST CONFORM TO
THESE STANDARD
INTERFACE DIMENSIONS

ISO VIEWS
SCALE 2:1



NOTES:

- ALL MATERIALS SUPPLIED MUST BE ROHS COMPLIANT.
- SAMPLES MUST BE APPROVED BY PANORAMA ANTENNAS Q.C. BEFORE COMMENCING PRODUCTION.

01019	7	INTERFACE DIMENSIONS UPDATED.	29/09/2011	PE
01019	6	REDRAWN IN 2D AND 3D. NO CHANGE TO PART.	26/05/2011	ATB
PCN	REV.	DESCRIPTION OF CHANGE	DATE	DRAWN
REVISIONS				

PRODUCT/ASSEMBLY CONNECTORS		DESCRIPTION SMA STRAIGHT CRIMP JACK FOR RG174 COAX CABLE			
MATERIAL SEE DRAWING		APPROVED KD	DO.CHECK RF	SCALE 3:1	DIMENSIONS IN mm
FINISH SEE DRAWING		PANORAMA ANTENNAS			
WEIGHT N/A	SHEET 1 OF 1				