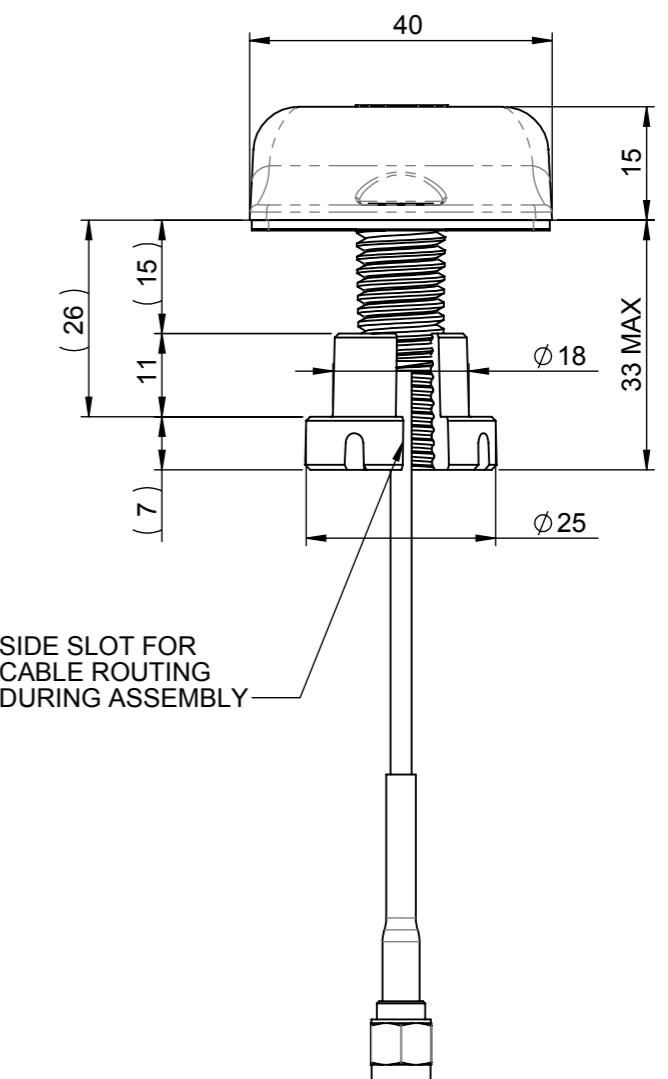
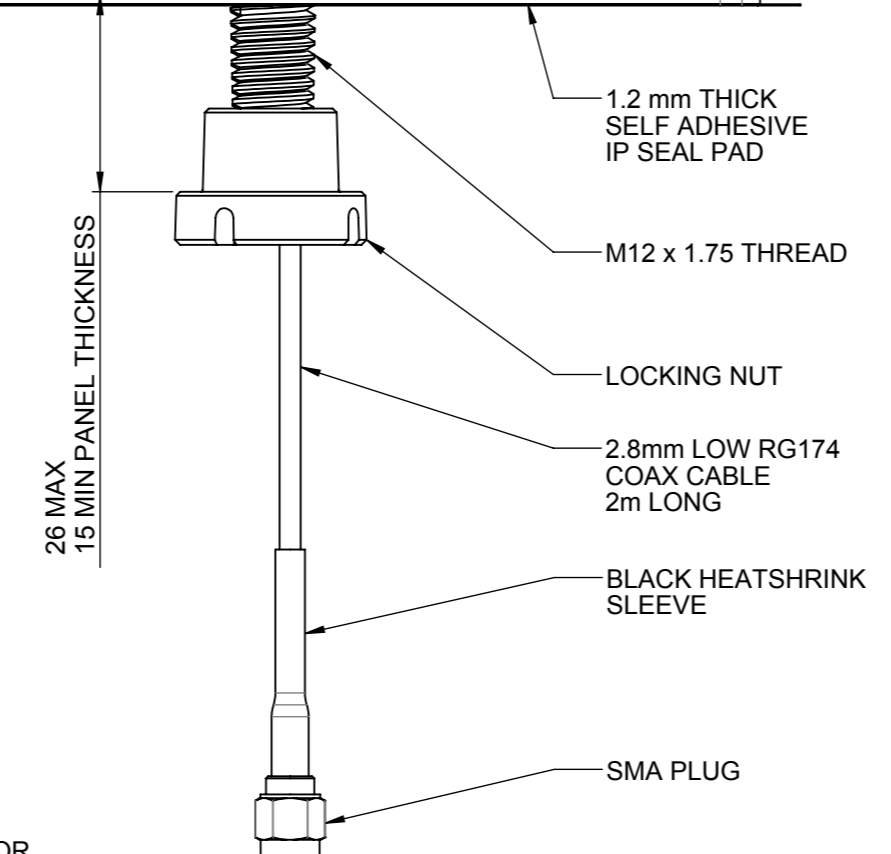
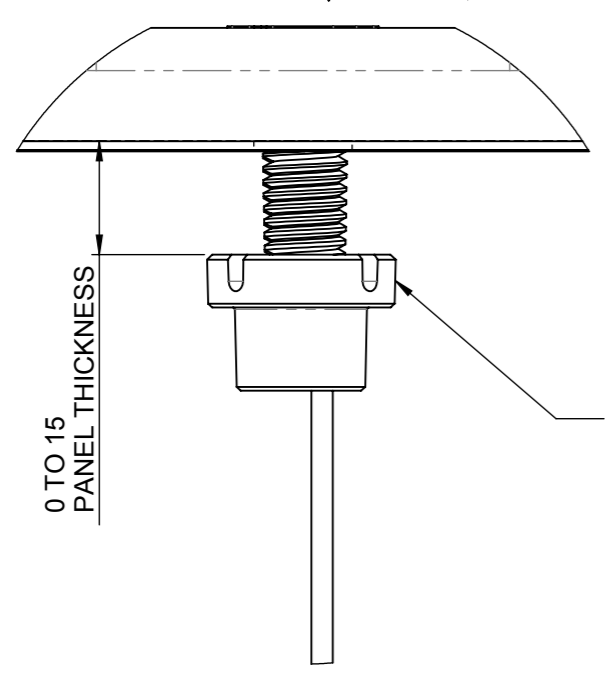
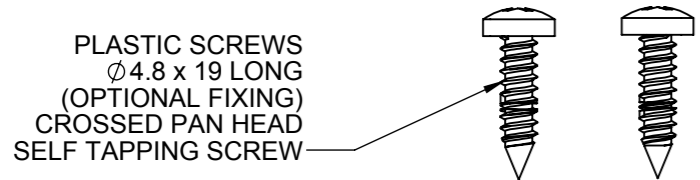
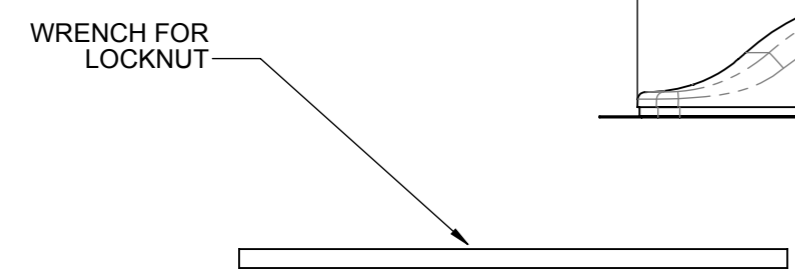
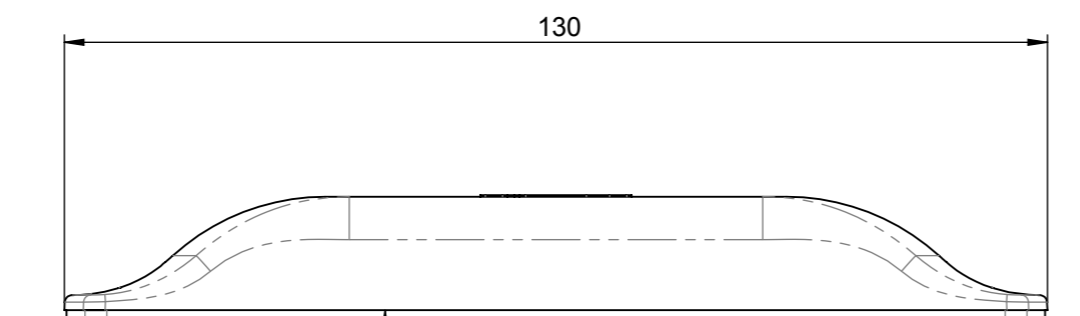
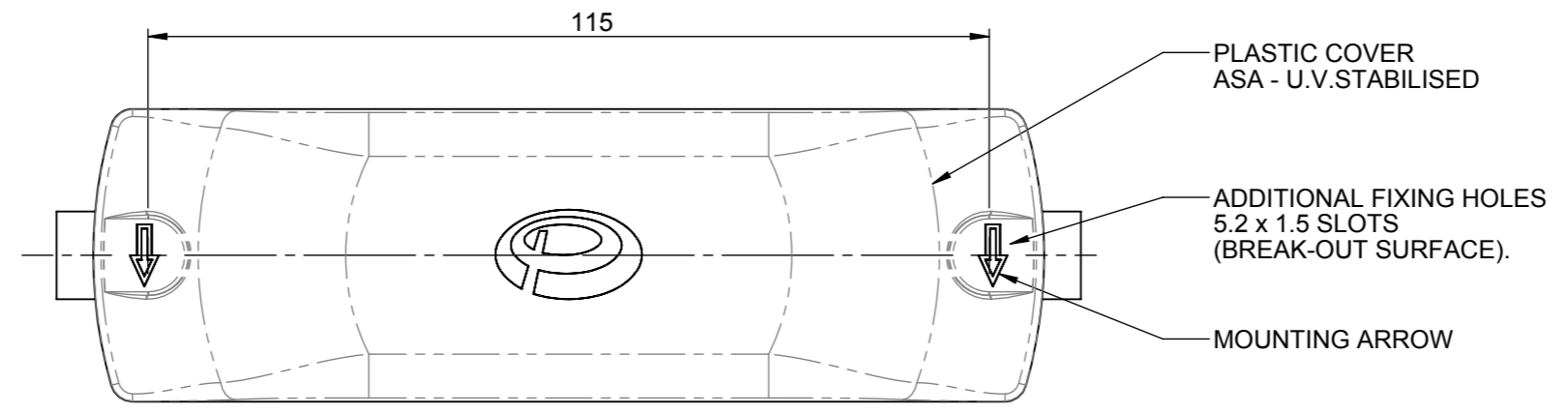


	3RD ANGLE PROJECTION		DO NOT SCALE
	DENOTES LATEST ISSUE CHANGES		DENOTES CRITICAL VALUE

© 2013 A3 THIS DOCUMENT MUST NOT BE COPIED OR DISCLOSED TO A THIRD PARTY WITHOUT THE WRITTEN CONSENT OF PANORAMA ANTENNAS LTD.

DWG. No. LPAB-868-3G-2SP

TOLERANCES UNLESS OTHERWISE STATED			
0 DEC. PLACE	±0.5	2 DEC. PLACES	±0.1
1 DEC. PLACE	±0.2	ANGULAR	±1°



PCN	REV.	DESCRIPTION OF CHANGE	DATE	DRAWN
01019	2	WEIGHT UPDATED	20/11/2013	RF
01019	1	PRODUCTION ISSUE	01/07/2013	PE

REVISIONS

PRODUCT/ASSEMBLY	LPAB
MATERIAL	N/A
FINISH	N/A
WEIGHT	93.12g

DESCRIPTION				LOW PROFILE ANTENNA 868 / 1900-2170MHz - 2m CABLE - SMA PLUG.	
APPROVED	KD	D.O. CHECK	PE	SCALE	1:1
				DIMENSIONS IN mm	
SHEET 1 OF 1					

