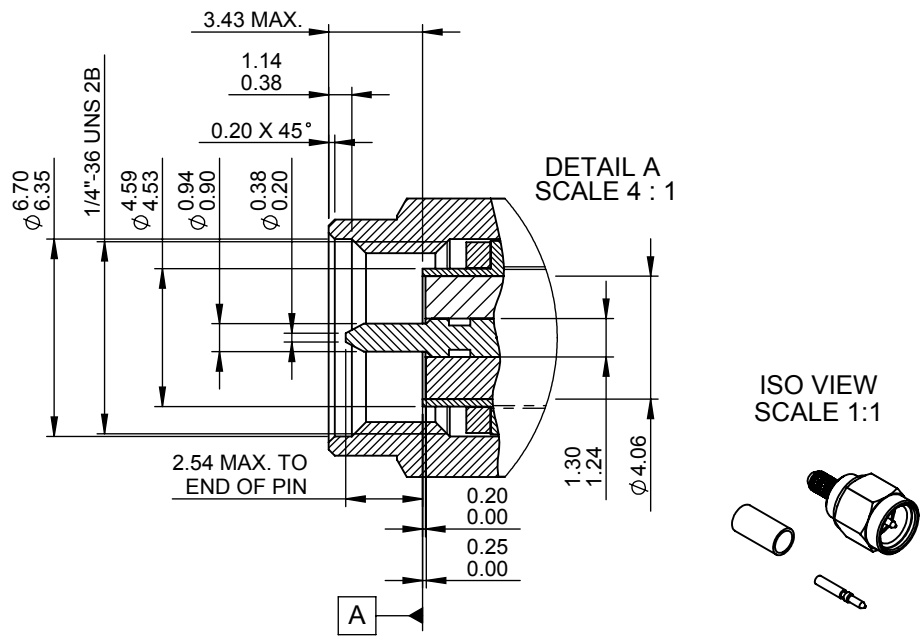
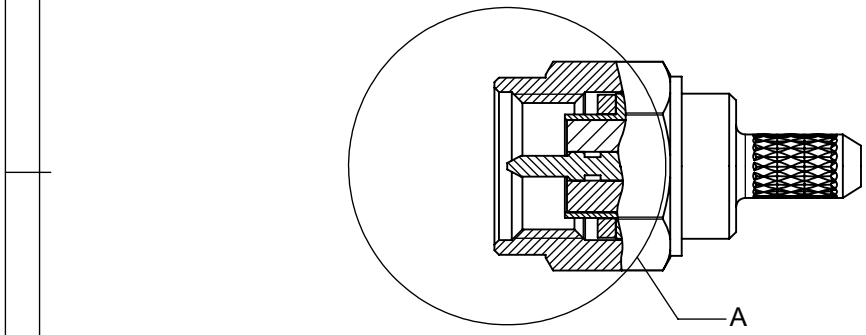
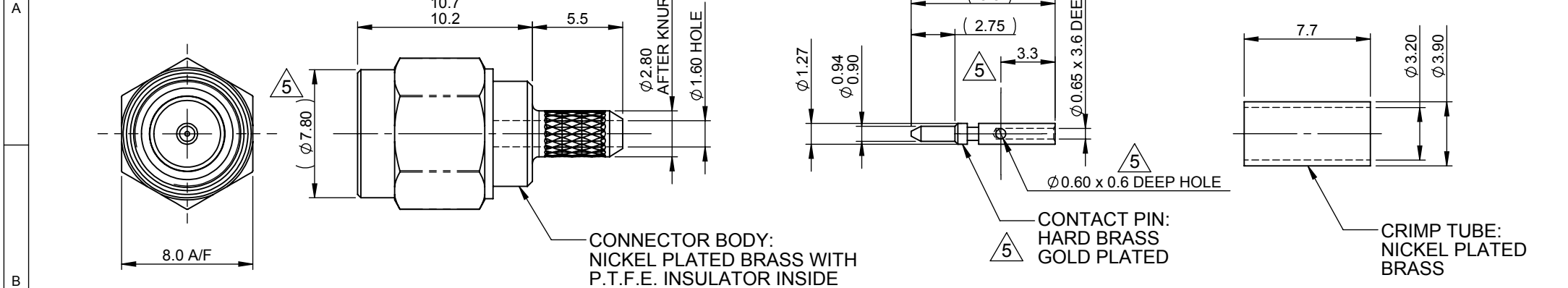


TOLERANCES UNLESS OTHERWISE STATED			
0 DEC. PLACE	±0.5	2 DEC. PLACES	±0.1
1 DEC. PLACE	±0.2	ANGULAR	±1°



- NOTES:
- CONTACT PIN MUST REMAIN CAPTIVE AFTER ASSEMBLY OF CONNECTOR.
  - FINAL CONNECTOR ASSEMBLY MUST CONFORM TO STANDARD INTERFACE DIMENSIONS SHOWN.
  - SAMPLES MUST BE APPROVED BY PANORAMA ANTENNAS Q.C. BEFORE COMMENCING PRODUCTION.
  - ALL THREADS TO BE FREE FROM RESTRICTION ALONG ENTIRE LENGTH AFTER PLATING.
  - ALL DIMENSIONS APPLY AFTER PLATING.
  - ALL MATERIALS USED MUST BE RoHS COMPLIANT.

PCN	REV.	DESCRIPTION OF CHANGE	DATE	DRAWN
01019	5	PIN MATERIAL UPDATED. DIMENSIONS ADDED.	12/04/2013	PE
01019	4	REDRAWN IN 2D AND 3D. INTERFACE DIMENSIONS AND NOTES UPDATED. PART DIMENSIONS UPDATED.	15/11/2012	PE
REVISIONS				

PRODUCT/ASSEMBLY <b>CONNECTORS</b>		DESCRIPTION <b>SMA STRAIGHT CRIMP PLUG FOR RG174 COAX CABLE</b>			
MATERIAL <b>SEE DRAWING</b>		APPROVED KD	DO.CHECK ATB	SCALE 3:1	DIMENSIONS IN mm
FINISH <b>SEE DRAWING</b>					
WEIGHT 3.13g	SHEET 1 OF 1				