

1

2

3

4

5

PRODUCT/ASSEMBLY
BASES

DESCRIPTION
MIMO GPS/GNSS 2G/3G/4G WLAN ANT

MATERIAL
N/A

FINISH
N/A

WEIGHT
335.43g

APPROVED **KD** DO.CHECK **PE**

SCALE **1:2** DIMENSIONS IN mm

DO NOT SCALE 3RD ANGLE PROJECTION

RD108	B	INTERNAL UPDATES. NOTES UPDATED.	07/09/2016	IC
-------	---	----------------------------------	------------	----

01019	1	PRODUCTION ISSUE	18/01/2017	IC
-------	---	------------------	------------	----

01019	2	CABLE MANAGEMENT SLEEVE ADDED	13/03/2017	IC
-------	---	-------------------------------	------------	----

01019	3	HEATSHRINK ADDED. NOTES UPDATED.	30/03/2017	PE
-------	---	----------------------------------	------------	----

01019	4	CHANGES FOR P1559 UPDATE	17/05/2017	IC
-------	---	--------------------------	------------	----

PCN	REV.	DESCRIPTION	DATE	DRN
-----	------	-------------	------	-----

TOLERANCES UNLESS OTHERWISE STATED

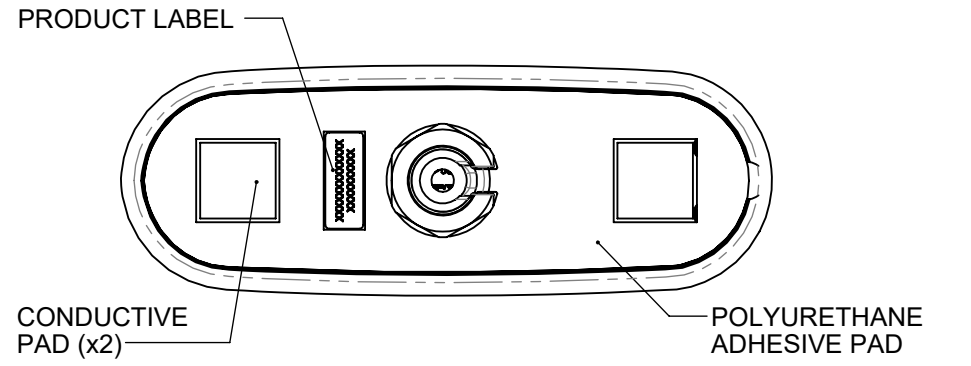
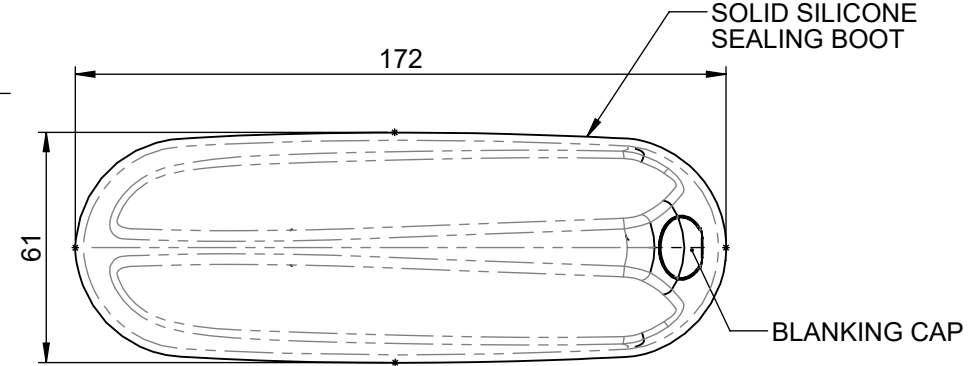
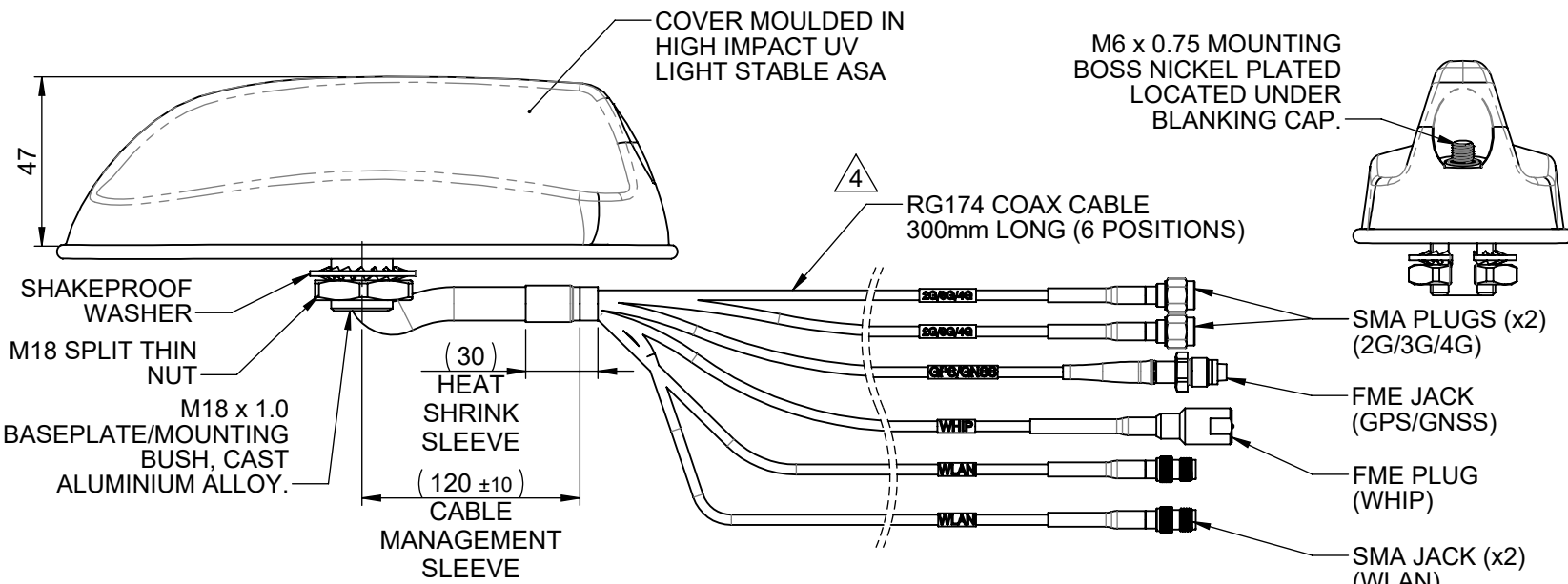
0 DEC. PLACE	±0.5	2 DEC. PLACES	±0.1
--------------	------	---------------	------

1 DEC. PLACE	±0.2	ANGULAR	±1°
--------------	------	---------	-----

	DENOTES LATEST ISSUE CHANGES		DENOTES CRITICAL VALUE
--	------------------------------	--	------------------------



THIS DOCUMENT MUST NOT BE COPIED OR DISCLOSED TO A THIRD PARTY WITHOUT THE WRITTEN CONSENT OF PANORAMA ANTENNAS LTD.



1x EARTH WASHER (SUPPLIED LOOSE)



OPERATING FREQUENCIES:
CELLULAR: 698-960/1710-3800 MHz
WIFI : 2.4/5.0 GHz
GPS/GNSS: 1562-1612 MHz 26dB LNA

NOTES:

- SAMPLES MUST BE APPROVED BY PANORAMA ANTENNAS Q.C. BEFORE COMMENCING PRODUCTION.
- ALL MATERIALS SUPPLIED MUST BE RoHS2 (DIRECTIVE 2011/65/EU) COMPLIANT AND MUST NOT CONTAIN ANY SUBSTANCES OF VERY HIGH CONCERN (SVHCs) LISTED UNDER REACH OR POLY-AROMATIC HYDROCARBONS (PAHs), OR PERSISTENT ORGANIC POLLUTANTS (POPs) CONTROLLED BY THE STOCKHOLM CONVENTION.

ISO VIEW SCALE 1:5

