

PRODUCT/ASSEMBLY  
1012 - MIMO AND DIVERSITY ANTENNAS

DESCRIPTION  
4G/5G 4x4 MiMo 2x2 MiMo WIFI GPS/GNSS - WHT

MATERIAL  
N/A

FINISH  
N/A

WEIGHT  
620(NET)g

APPROVED KD DO.CHECK AR

SCALE 1:5 DIMENSIONS IN mm

DO NOT SCALE 3RD ANGLE PROJECTION

01019	1	PRODUCTION ISSUE	05/11/2019	AA
-------	---	------------------	------------	----

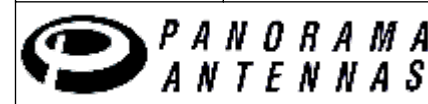
PCN	REV.	DESCRIPTION	DATE	DRN

TOLERANCES UNLESS OTHERWISE STATED

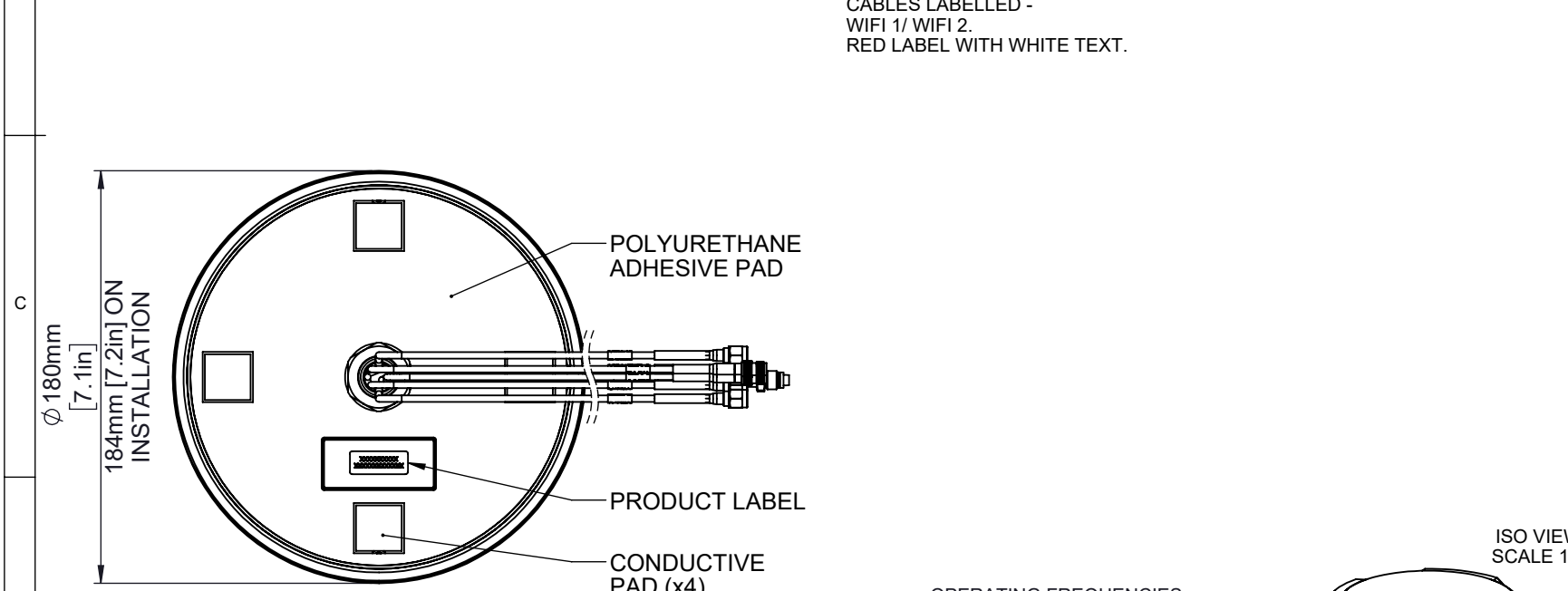
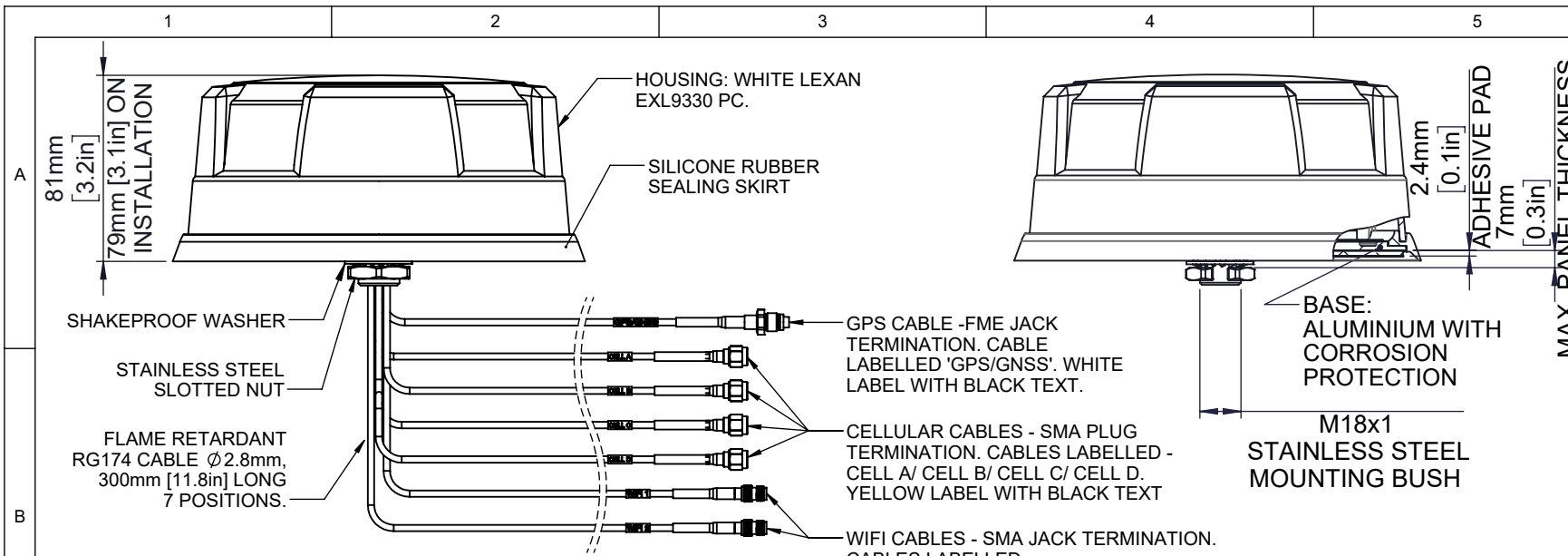
0 DEC. PLACE ±0.5 2 DEC. PLACES ±0.1

1 DEC. PLACE ±0.2 ANGULAR ±1°

△ DENOTES LATEST ISSUE CHANGES ○ DENOTES CRITICAL VALUE



THIS DOCUMENT MUST NOT BE COPIED OR DISCLOSED TO A THIRD PARTY WITHOUT THE WRITTEN CONSENT OF PANORAMA ANTENNAS LTD.



- NOTES:
- SAMPLES MUST BE APPROVED BY PANORAMA ANTENNAS Q.C. BEFORE COMMENCING PRODUCTION.
  - ALL MATERIALS SUPPLIED MUST BE RoHS3 (DIRECTIVE (EU) 2015/863) COMPLIANT AND MUST NOT CONTAIN ANY SUBSTANCES OF VERY HIGH CONCERN (SVHCs) LISTED UNDER REACH OR POLY-AROMATIC HYDROCARBONS (PAHs), OR PERSISTENT ORGANIC POLLUTANTS (POPs) CONTROLLED BY THE STOCKHOLM CONVENTION.

OPERATING FREQUENCIES:  
CELL A: 617-960/1710-6000 MHz  
CELL B: 617-960/1710-6000 MHz  
CELL C: 617-960/1710-6000 MHz  
CELL D: 617-960/1710-6000 MHz  
WIFI 1: 2400-2485 / 4900-6000 MHz  
WIFI 2: 2400-2485 / 4900-6000 MHz  
GPS/GNSS: 1562-1612 MHz 26dB LNA

