

1

2

3

4

5

DRG. No. LGMQM4B-6-60-24-58 SHEET OF 2

PRODUCT/ASSEMBLY 1012 - MIMO AND DIVERSITY ANTENNAS

DESCRIPTION 4G/5G 4x4 MiMo 4x4 MiMo WIFI GPS/GNSS - BLK

MATERIAL N/A

FINISH N/A

WEIGHT 600(NET)g

APPROVED KD DO.CHECK AR

SCALE 1:5 DIMENSIONS IN mm

DO NOT SCALE 3RD ANGLE PROJECTION

01019 1 PRODUCTION ISSUE 05/11/2019 AA

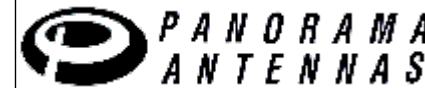
PCN REV. DESCRIPTION DATE DRN

TOLERANCES UNLESS OTHERWISE STATED

0 DEC. PLACE ±0.5 2 DEC. PLACES ±0.1

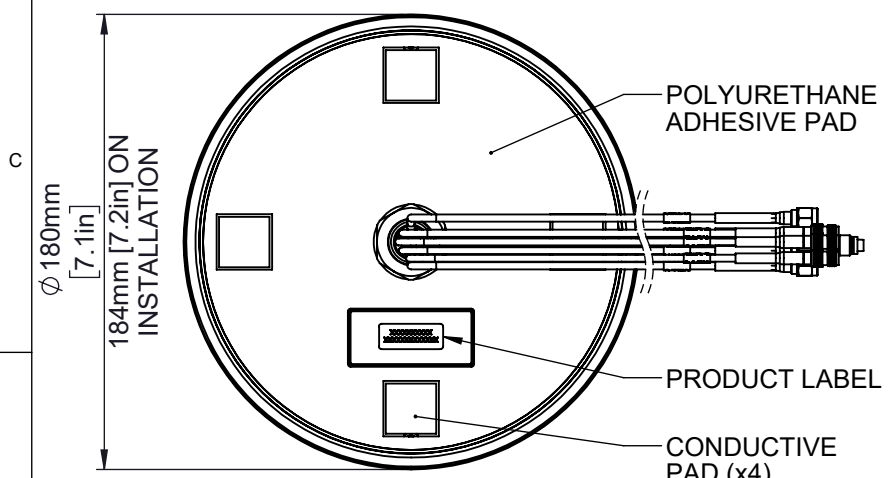
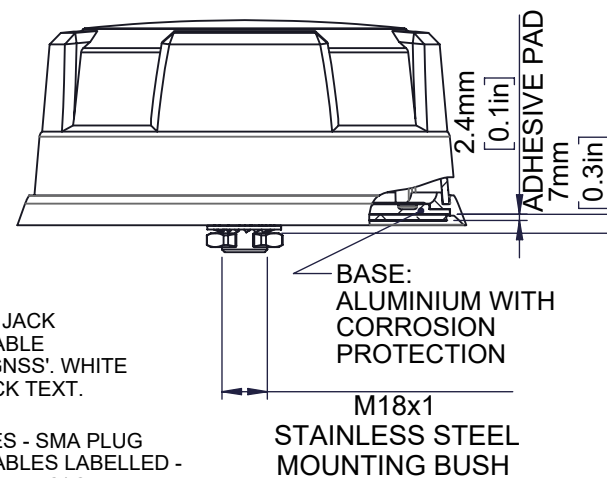
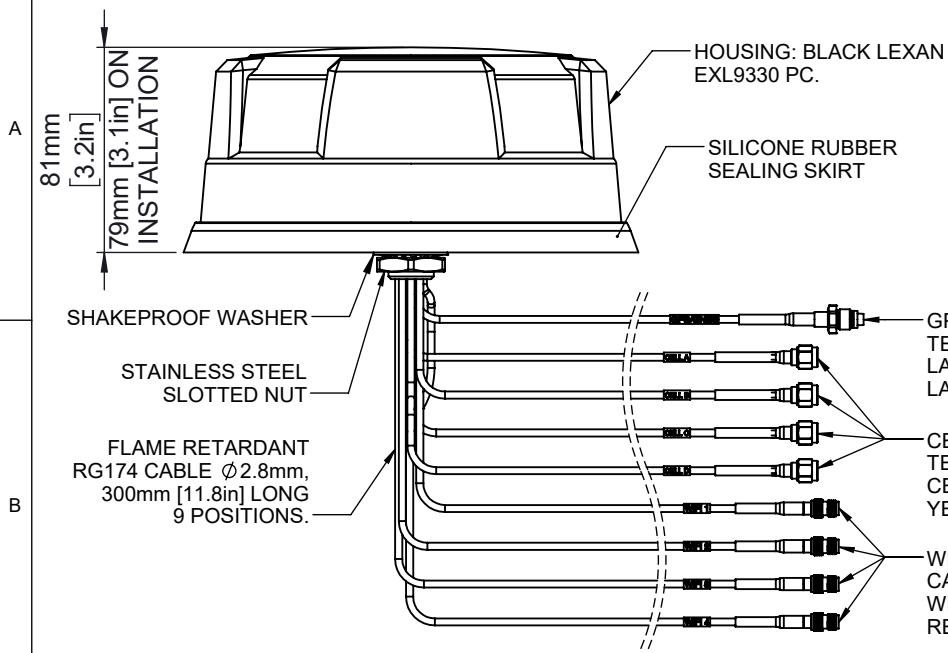
1 DEC. PLACE ±0.2 ANGULAR ±1°

△ DENOTES LATEST ISSUE CHANGES ○ DENOTES CRITICAL VALUE



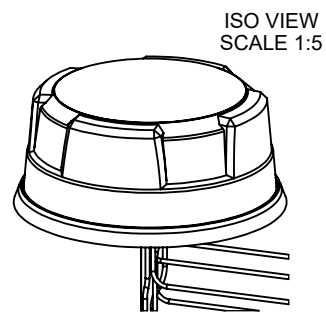
THIS DOCUMENT MUST NOT BE COPIED OR DISCLOSED TO A THIRD PARTY WITHOUT THE WRITTEN CONSENT OF PANORAMA ANTENNAS LTD.

© 2019 A4



- NOTES:
- SAMPLES MUST BE APPROVED BY PANORAMA ANTENNAS Q.C. BEFORE COMMENCING PRODUCTION.
 - ALL MATERIALS SUPPLIED MUST BE RoHS3 (DIRECTIVE (EU) 2015/863) COMPLIANT AND MUST NOT CONTAIN ANY SUBSTANCES OF VERY HIGH CONCERN (SVHCs) LISTED UNDER REACH OR POLY-AROMATIC HYDROCARBONS (PAHs), OR PERSISTENT ORGANIC POLLUTANTS (POPs) CONTROLLED BY THE STOCKHOLM CONVENTION.

OPERATING FREQUENCIES:
 CELL A: 617-960/1710-6000 MHz
 CELL B: 617-960/1710-6000 MHz
 CELL C: 617-960/1710-6000 MHz
 CELL D: 617-960/1710-6000 MHz
 WIFI 1: 2400-2485 / 4900-6000 MHz
 WIFI 2: 2400-2485 / 4900-6000 MHz
 WIFI 3: 2400-2485 / 4900-6000 MHz
 WIFI 4: 2400-2485 / 4900-6000 MHz
 GPS/GNSS: 1562-1612 MHz 26dB LNA



MAX. PANEL THICKNESS