

1

2

3

4

5

PRODUCT/ASSEMBLY  
**1012 - MIMO AND DIVERSITY ANTENNAS**

DESCRIPTION  
**4G/5G 4x4 MiMo - WHT**

MATERIAL  
**N/A**

FINISH  
**N/A**

WEIGHT  
**900 (net)g**

APPROVED **JJ** DO.CHECK **CL**

SCALE **1:5** DIMENSIONS IN mm

DO NOT SCALE 3RD ANGLE PROJECTION

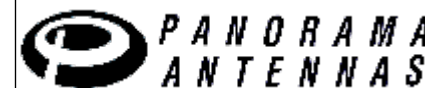

01019 A INITIAL ISSUE 09/10/2019 AA

PCN	REV.	DESCRIPTION	DATE	DRN
-----	------	-------------	------	-----

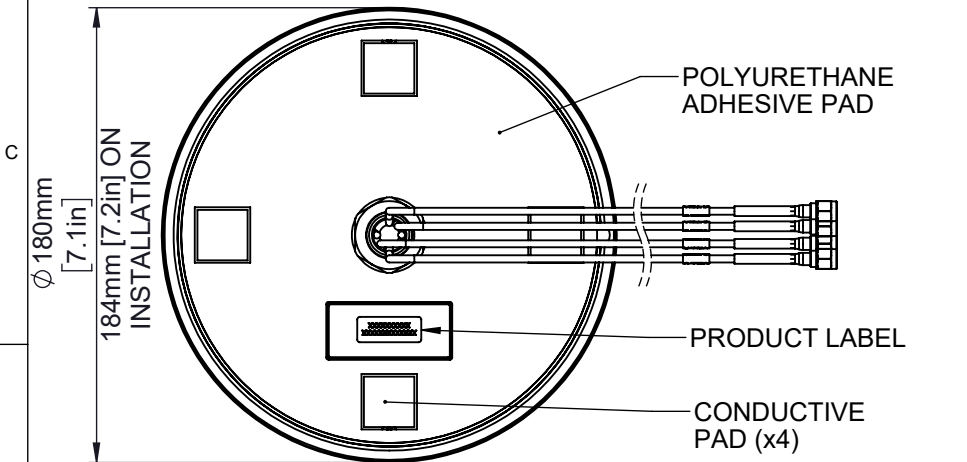
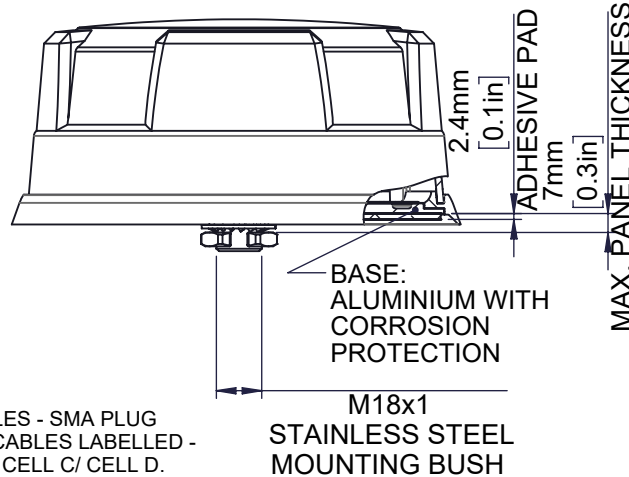
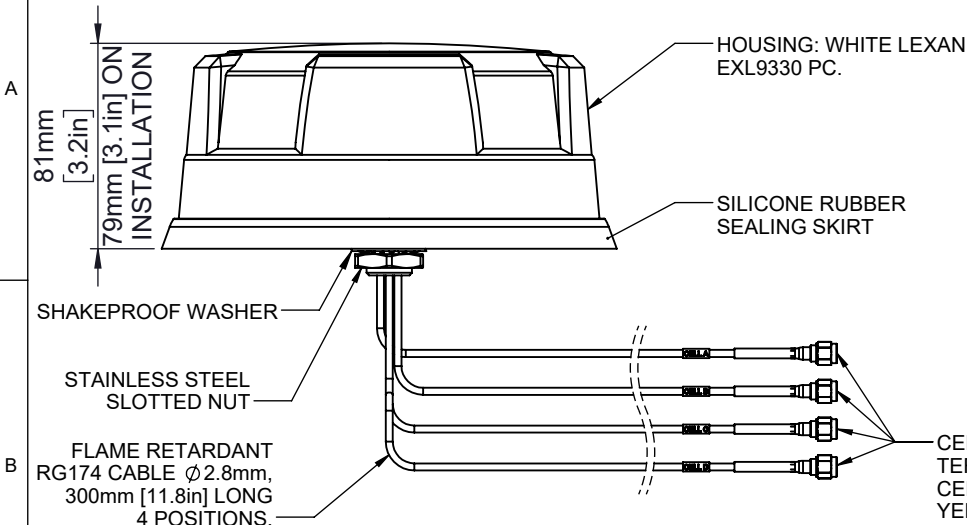
TOLERANCES UNLESS OTHERWISE STATED

0 DEC. PLACE	±0.5	2 DEC. PLACES	±0.1
1 DEC. PLACE	±0.2	ANGULAR	±1°

△ DENOTES LATEST ISSUE CHANGES ○ DENOTES CRITICAL VALUE

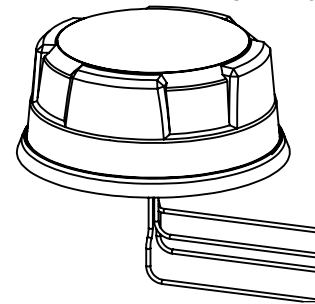


THIS DOCUMENT MUST NOT BE COPIED OR DISCLOSED TO A THIRD PARTY WITHOUT THE WRITTEN CONSENT OF PANORAMA ANTENNAS LTD.



OPERATING FREQUENCIES:  
 CELL A: 617-960/1710-6000 MHz  
 CELL B: 617-960/1710-6000 MHz  
 CELL C: 617-960/1710-6000 MHz  
 CELL D: 617-960/1710-6000 MHz

ISO VIEW SCALE 1:5



- NOTES:
- SAMPLES MUST BE APPROVED BY PANORAMA ANTENNAS Q.C. BEFORE COMMENCING PRODUCTION.
  - ALL MATERIALS SUPPLIED MUST BE RoHS3 (DIRECTIVE (EU) 2015/863) COMPLIANT AND MUST NOT CONTAIN ANY SUBSTANCES OF VERY HIGH CONCERN (SVHCs) LISTED UNDER REACH OR POLY-AROMATIC HYDROCARBONS (PAHs), OR PERSISTENT ORGANIC POLLUTANTS (POPs) CONTROLLED BY THE STOCKHOLM CONVENTION.