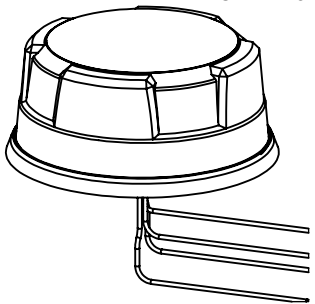


DRG. No.	LPMM4B-6-60		SHEET	1 OF 2
PRODUCT/ASSEMBLY	1012 - MIMO AND DIVERSITY ANTENNAS			
DESCRIPTION	4G/5G 4x4 MiMo - BLK			
MATERIAL	N/A			
FINISH	N/A			
WEIGHT	900 (net)g			
APPROVED	JJ	DO.CHECK	CL	
SCALE	1:5	DIMENSIONS IN mm		
DO NOT SCALE	3RD ANGLE PROJECTION			
01019	A	INITIAL ISSUE	09/10/2019	AA
PCN	REV.	DESCRIPTION	DATE	DRN
TOLERANCES UNLESS OTHERWISE STATED				
0 DEC. PLACE	±0.5	2 DEC. PLACES	±0.1	
1 DEC. PLACE	±0.2	ANGULAR	±1°	
	DENOTES LATEST ISSUE CHANGES			DENOTES CRITICAL VALUE
		PANORAMA ANTENNAS		
THIS DOCUMENT MUST NOT BE COPIED OR DISCLOSED TO A THIRD PARTY WITHOUT THE WRITTEN CONSENT OF PANORAMA ANTENNAS LTD.				
© 2019		A4		

OPERATING FREQUENCIES:
 CELL A: 617-960/1710-6000 MHz
 CELL B: 617-960/1710-6000 MHz
 CELL C: 617-960/1710-6000 MHz
 CELL D: 617-960/1710-6000 MHz



- NOTES:
- SAMPLES MUST BE APPROVED BY PANORAMA ANTENNAS Q.C. BEFORE COMMENCING PRODUCTION.
 - ALL MATERIALS SUPPLIED MUST BE RoHS3 (DIRECTIVE (EU) 2015/863) COMPLIANT AND MUST NOT CONTAIN ANY SUBSTANCES OF VERY HIGH CONCERN (SVHCs) LISTED UNDER REACH OR POLY-AROMATIC HYDROCARBONS (PAHs), OR PERSISTENT ORGANIC POLLUTANTS (POPs) CONTROLLED BY THE STOCKHOLM CONVENTION.