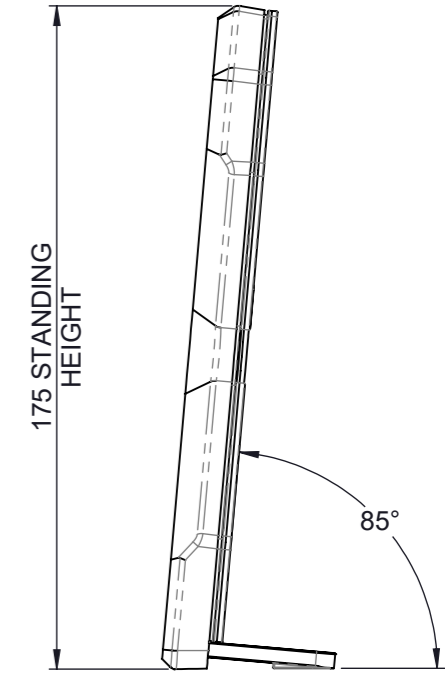
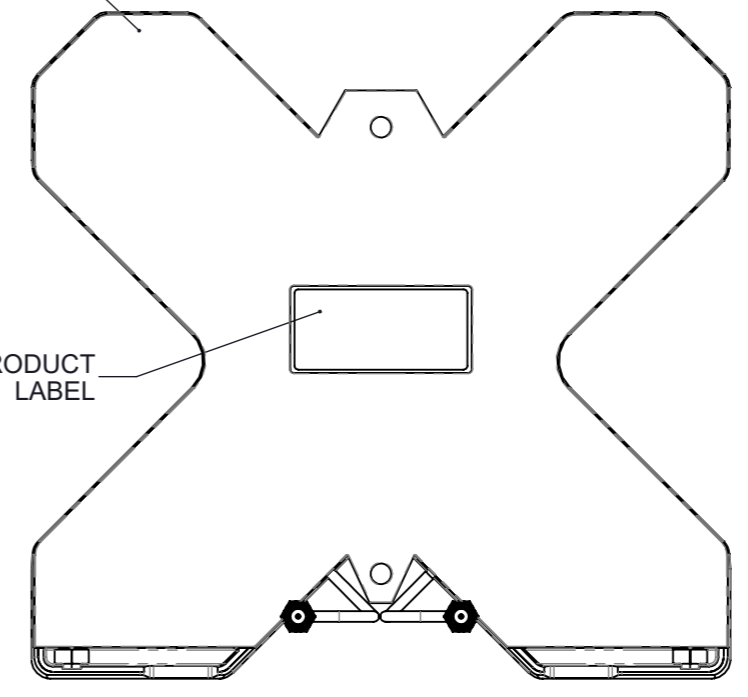
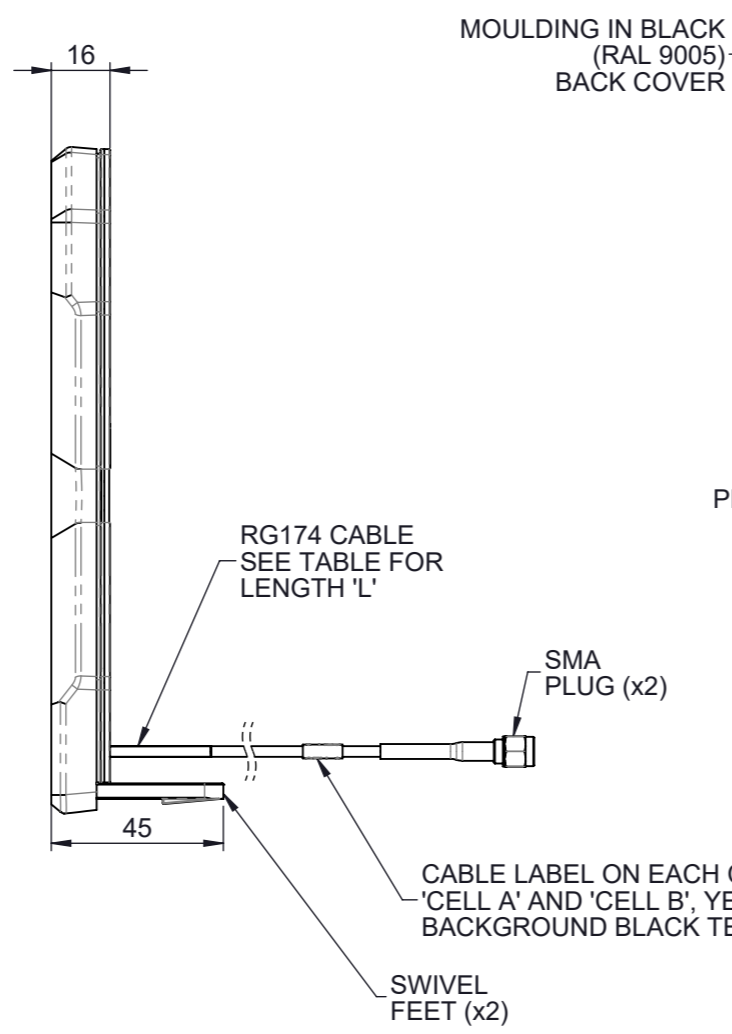
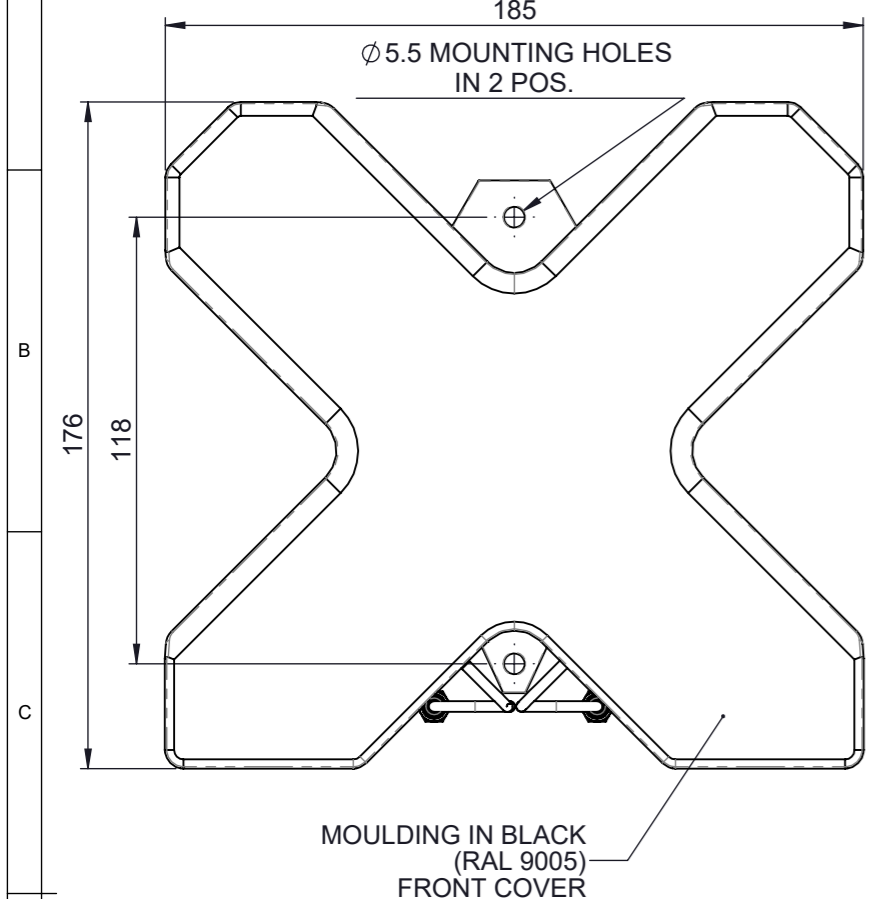
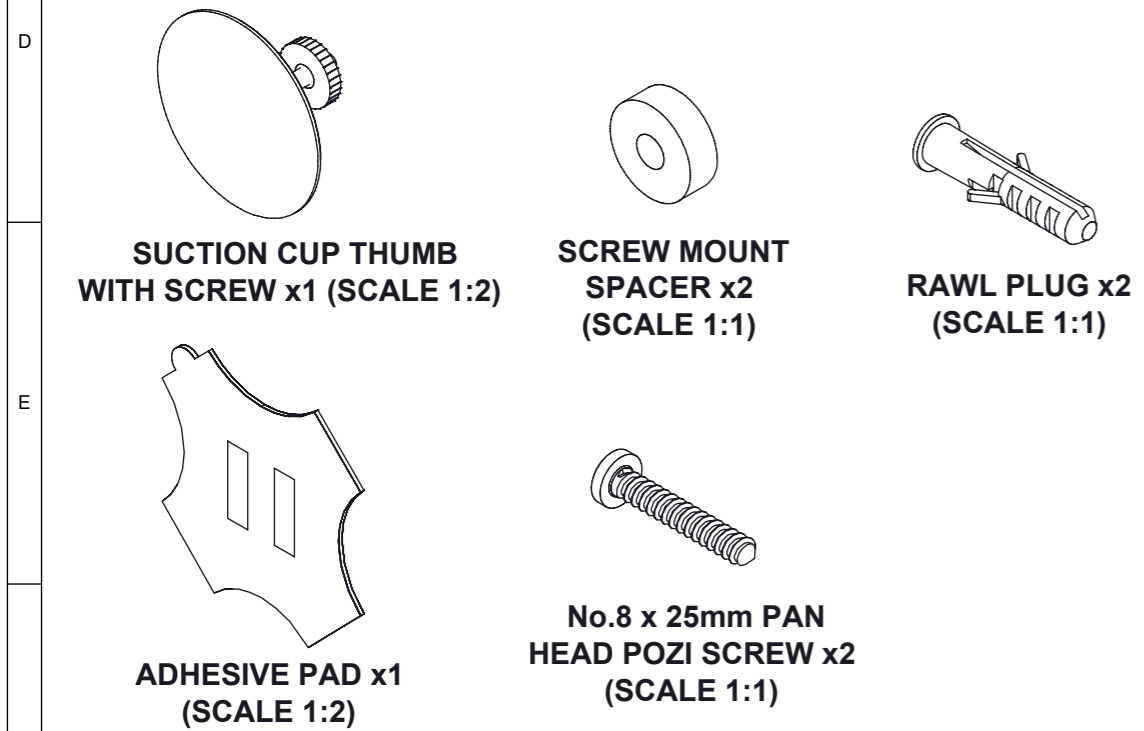


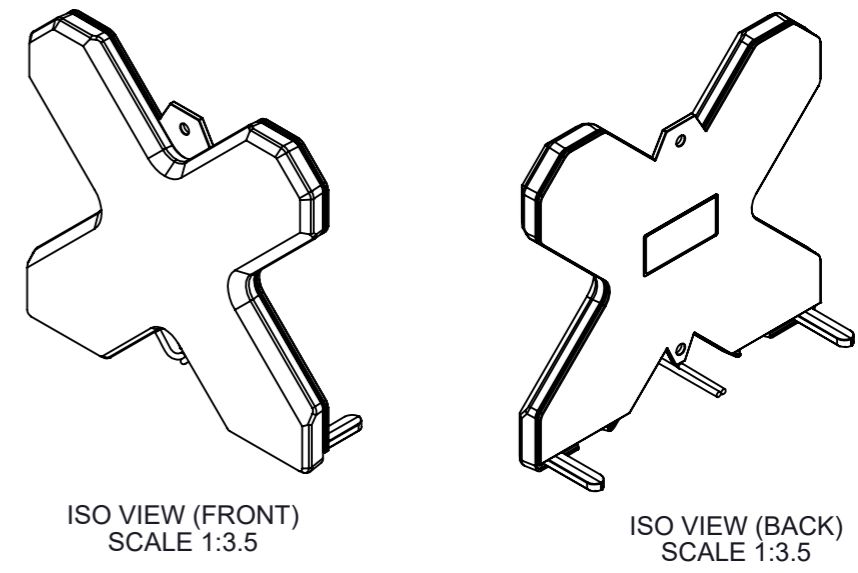
3RD ANGLE PROJECTION		DO NOT SCALE	
TOLERANCES UNLESS OTHERWISE STATED		DENOTES LATEST ISSUE CHANGES	
0 DEC. PLACE ±0.5	2 DEC. PLACES ±0.1	DENOTES CRITICAL VALUE	
1 DEC. PLACE ±0.2	ANGULAR ±1°		



COMPONENTS SUPPLIED IN BAG:



- NOTES:**
- SAMPLES MUST BE APPROVED BY PANORAMA ANTENNAS Q.C. BEFORE COMMENCING PRODUCTION.
 - ALL MATERIALS SUPPLIED MUST BE RoHS3 (DIRECTIVE (EU) 2015/863) COMPLIANT AND MUST NOT CONTAIN ANY SUBSTANCES OF VERY HIGH CONCERN (SVHCs) LISTED UNDER REACH OR POLY-AROMATIC HYDROCARBONS (PAHs), OR PERSISTENT ORGANIC POLLUTANTS (POPs) CONTROLLED BY THE STOCKHOLM CONVENTION.



PART NUMBER	CABLE LENGTH 'L' (mm)	WEIGHT (g)
DMM-6-60-05SP	500 +100/-0	200
DMM-6-60-2SP	2000 +100/-0	250

PCN	REV.	DESCRIPTION	DATE	DRN.
01019	A	INITIAL ISSUE	30/10/2020	AR
01019	1	PRODUCTION ISSUE	26/01/2021	AR

PRODUCT/ASSEMBLY	1012 - MIMO & DIVERSITY ANTENNAS
MATERIAL	N/A
FINISH	N/A
WEIGHT	SEE TABLE

DESCRIPTION		M'BAND 4G/5G MIMO DESK MNT ANT VARm SMA(m)			
APPROVED	PE	D.O. CHECK	IC	SCALE	1:2
				DIMENSIONS	IN mm