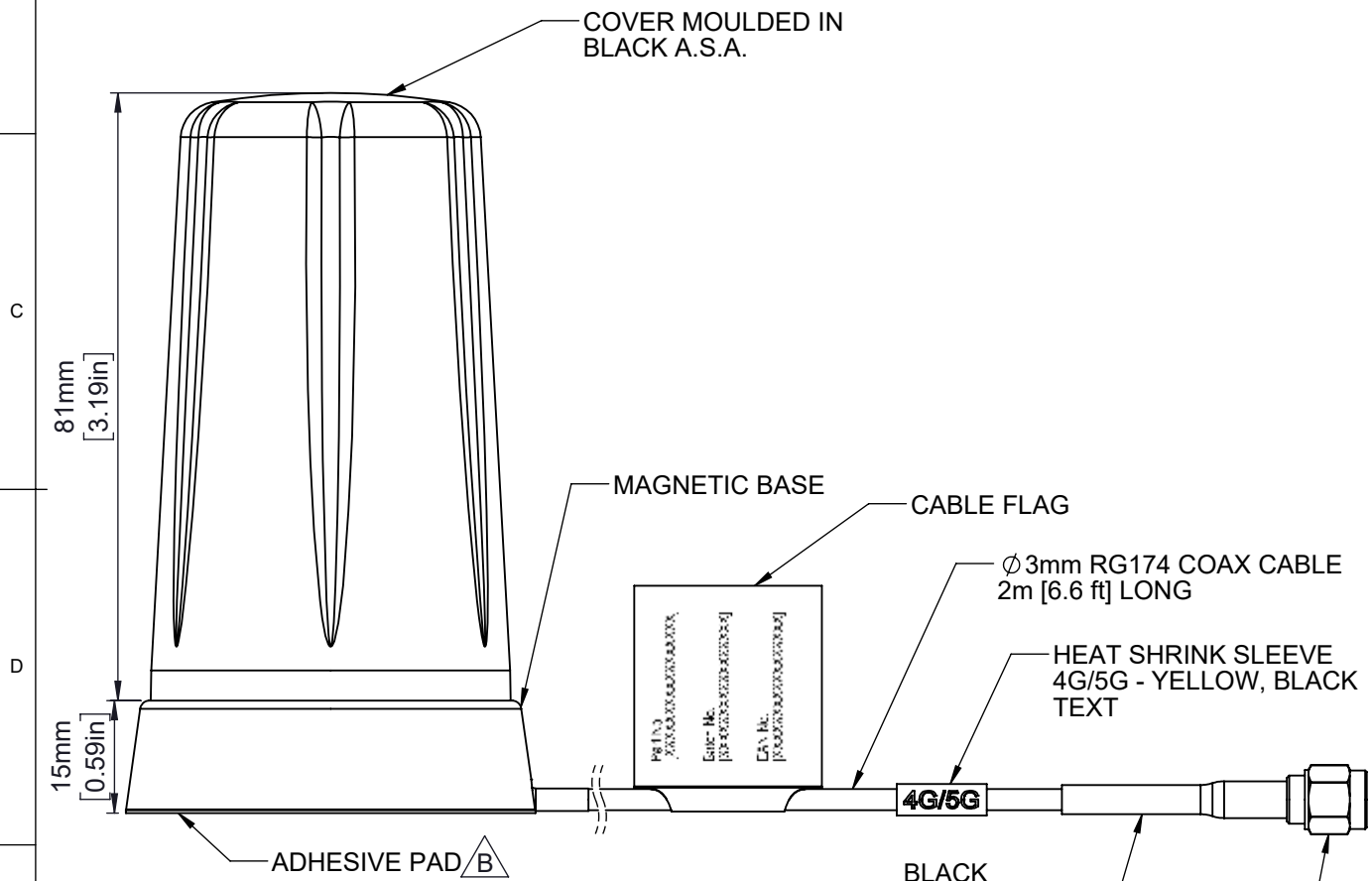
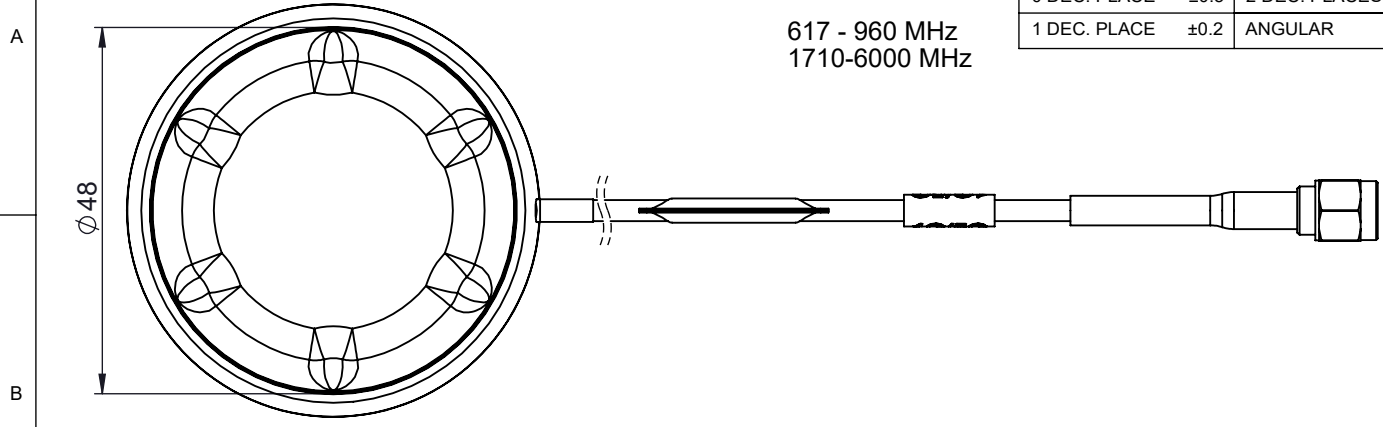
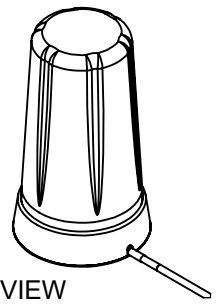


FREQUENCIES:
617 - 960 MHz
1710-6000 MHz

TOLERANCES UNLESS OTHERWISE STATED			
0 DEC. PLACE	±0.5	2 DEC. PLACES	±0.1
1 DEC. PLACE	±0.2	ANGULAR	±1°



- NOTES:
- SAMPLES MUST BE APPROVED BY PANORAMA ANTENNAS Q.C. BEFORE COMMENCING PRODUCTION.
 - ALL MATERIALS SUPPLIED MUST BE RoHS3 (DIRECTIVE (EU) 2015/863) COMPLIANT AND MUST NOT CONTAIN ANY SUBSTANCES OF VERY HIGH CONCERN (SVHCs) LISTED UNDER REACH OR POLY-AROMATIC HYDROCARBONS (PAHs), OR PERSISTENT ORGANIC POLLUTANTS (POPs) CONTROLLED BY THE STOCKHOLM CONVENTION.



PRODUCT/ASSEMBLY					DESCRIPTION						
1008 - M2M LOW PROFILES					LOW PROF ANTENNA 617-6000MHz 2m SMA						
MATERIAL					FINISH						
N/A					N/A						
01019	A	INITIAL ISSUE	11/09/2019	AA	APPROVED	JJ	D.O.CHECK	AR	SCALE	1:5	DIMENSIONS
01019	B	CHANGES TO BOM	01/10/2019	AA	IN mm						
PCN	REV.	DESCRIPTION	DATE	DRN	PANORAMA ANTENNAS						
WEIGHT 327 (NET)					SHEET 1 OF 2						