

2G/3G/4G/5G Low Profile Antenna

LPB-6-60-NJ

PANORAMA ANTENNAS



LPB-6-60-NJ

Ultra Wide Band - 2G/3G/4G/5G

N (f) Connector

Bracket Supplied

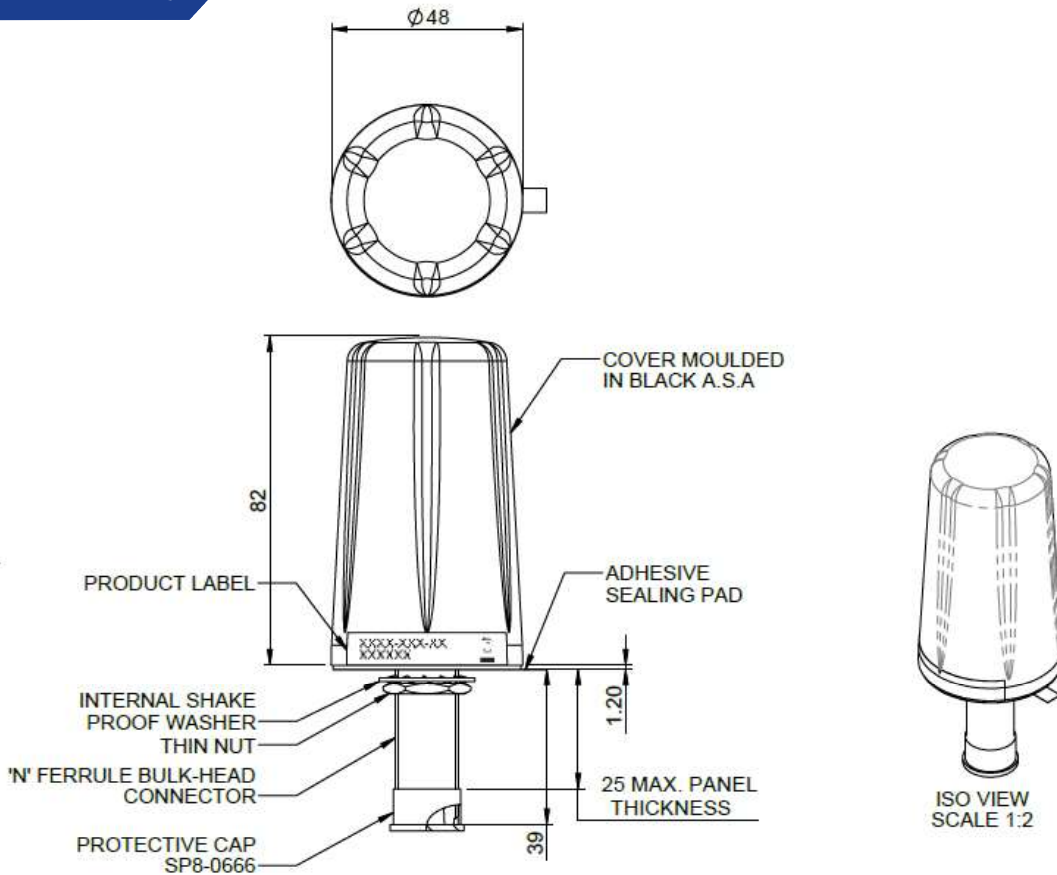
The B4BE[E] antenna is a cost effective omni-directional broad band antenna for 4G/3G/2G and 5G devices from 617-960/1427-6000MHz and is suitable for external or internal installation.

The design of the mounting bracket enables simple wall mounting using the supplied screws and wall plugs or mast mounting using a pipe clip or cable ties (not supplied).

The omni-directional radiation pattern allows easy placement of the antenna in an elevated position.

This antenna is an ideal solution for use in industrial and domestic environments with cellular modems/routers and Machine to Machine (M2M) wireless connectivity applications.

Technical Drawing



2G/3G/4G/5G Low Profile Antenna

LPB-6-60-NJ

Product Data

Part No.

LPB-6-60-NJ

Electrical Data

Frequency Range (MHz)	617-960 / 1427-6000	
Operational Band	2G/3G/4G/5G	
Peak Realised Gain: Isotropic*	617-960MHz	2dBi
	1427-2700MHz	4dBi
	3400-6000MHz	7dBi
Typical VSWR*	<3:1	
Typical Efficiency	>60%	
Polarisation	Vertical	
Pattern	Omni-directional	
Impedance	50Ω	
Max Input Power (W)	30	

Mechanical Data

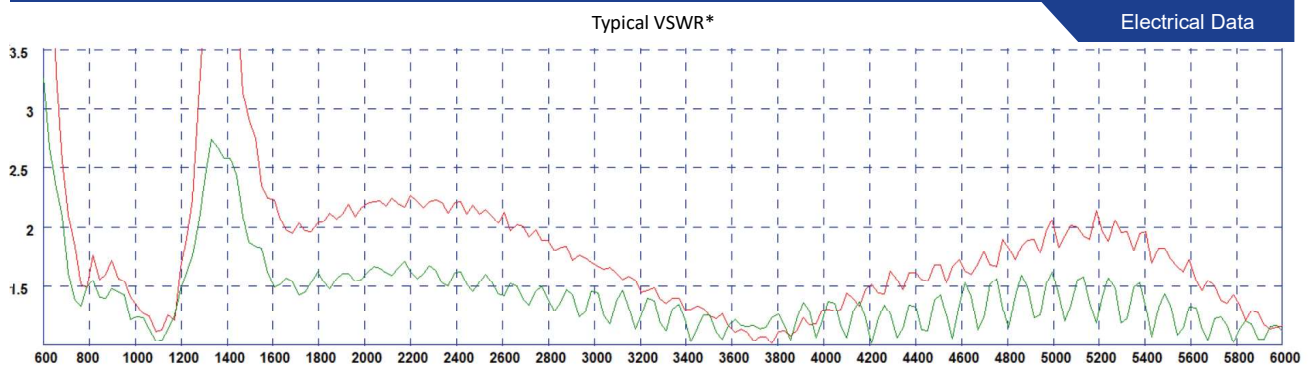
Dimensions (mm)	Height	82 (3.22")
	Diameter	48 (1.89")
Operating Temp (°C)	-40° / +80°C (-40° / 176°F)	
Material	ASA	
Colour	Black	
Ingress Protection	IP65	

Mounting Data

Fixing	Panel mount or Bracket mount
Hole Diameter (mm)	16 (5/8")
Max Panel Thickness (mm)	25 (1")
Weight (g)	211.72

Connector Data

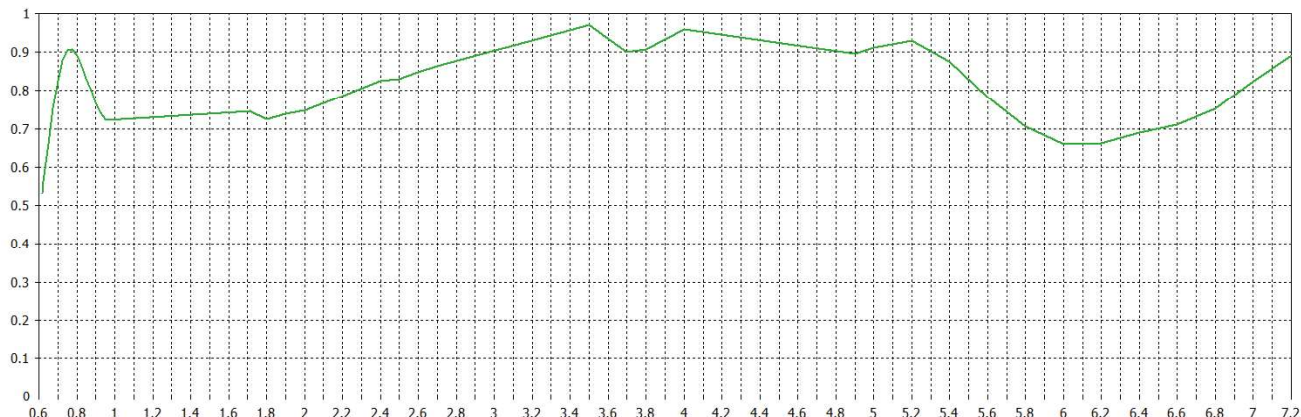
*Typical VSWR measured on supplied bracket with 5m (16.4') of CS32 cable.



* Green trace measured on supplied bracket with 5m (16.4') of CS32 Cable Red trace measured on bracket with no cable.

2G/3G/4G/5G Low Profile Antenna LPB-6-60-NJ

Typical Efficiency*



* Green trace shows antenna on supplied bracket with no cable.

Typical Swept Peak Gain*



*Red trace shows antenna on supplied bracket with no cable.