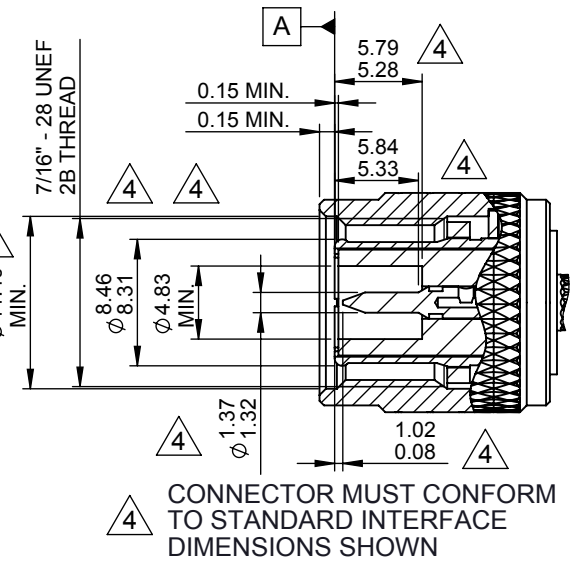


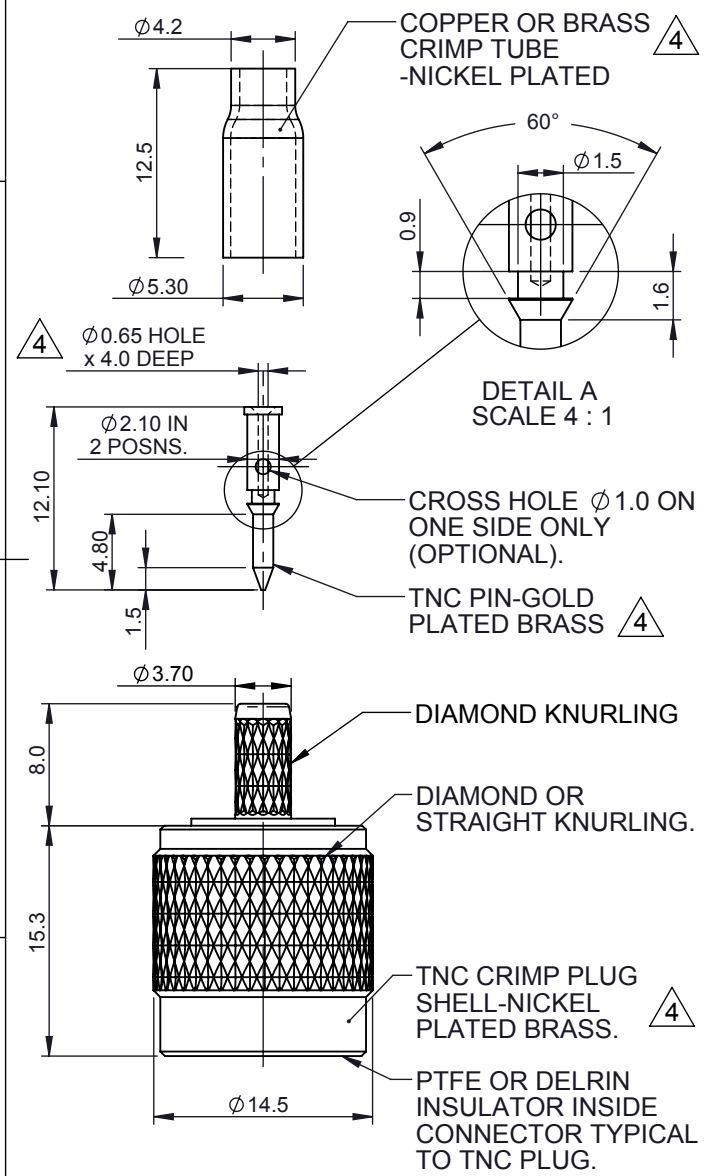
TOLERANCES UNLESS OTHERWISE STATED			
0 DEC. PLACE	±0.5	2 DEC. PLACES	±0.1
1 DEC. PLACE	±0.2	ANGULAR	±1°

NOTES: 4

1. 50 Ω IMPEDANCE.
2. HOLE IN CONTACT PIN MUST BE $\phi 0.65\text{mm}$ AS SHOWN.
3. CONTACT PIN MUST REMAIN CAPTIVE AFTER ASSEMBLY OF CONNECTOR.
4. EXTERNAL ROUGHNESS OF CONTACT PIN TO BE N5 ($R_a 0.4\mu\text{m}$) ALL OVER.
5. ALL THREADS TO BE FREE FROM RESTRICTIONS ALONG ENTIRE LENGTH AFTER PLATING.
6. ALL MATERIALS USED MUST BE RoHS COMPLIANT.
7. SAMPLES MUST BE APPROVED BY PANORAMA ANTENNAS Q.C. BEFORE COMMENCING PRODUCTION.

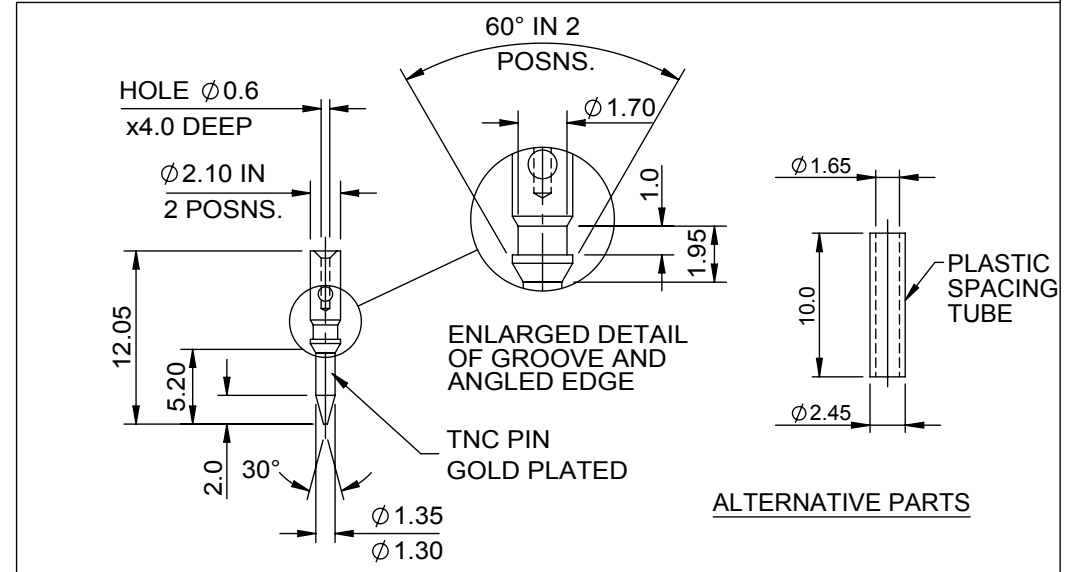
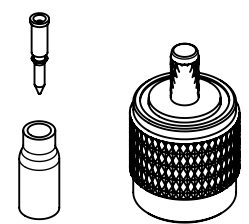


4 CONNECTOR MUST CONFORM TO STANDARD INTERFACE DIMENSIONS SHOWN



DETAIL A
SCALE 4 : 1

ISO VIEWS
SCALE 2:1



ALTERNATIVE PARTS

01019	4	DIMENSIONS AND NOTES UPDATED	18/12/2013	ATB
PCN	REV.	DESCRIPTION OF CHANGE	DATE	DRAWN
REVISIONS				

PRODUCT/ASSEMBLY CONNECTORS		DESCRIPTION TNC CRIMP PLUG FOR RG174 COAX CABLE		
MATERIAL SEE DRAWING		APPROVED KD	DO.CHECK PE	SCALE 2:1
FINISH SEE DRAWING		DIMENSIONS IN mm		
WEIGHT 11g		SHEET 1 OF 1		
PANORAMA ANTENNAS				