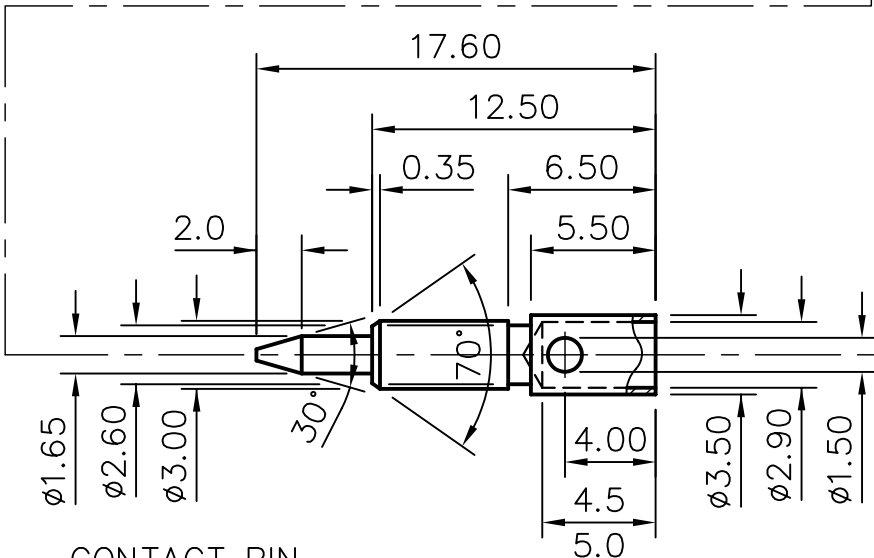
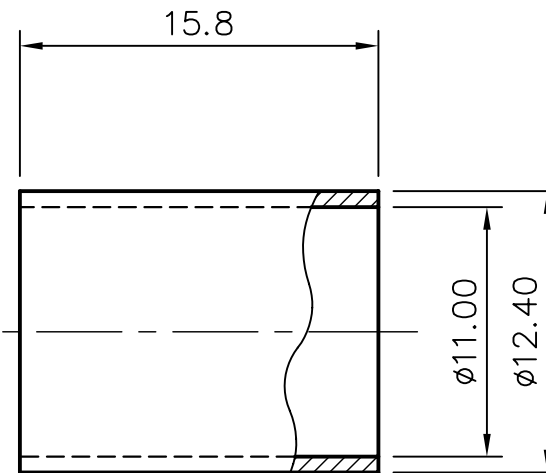


PLUG SHELL ASSEMBLY NICKEL PLATED BRASS.
INTERNAL DIMENSIONS TYPICAL TO 'N' PLUG.



CONTACT PIN
GOLD PLATED BRASS



CRIMP TUBE
NICKEL PLATED BRASS

DRG. No. SC1-N-PC400			
TITLE 'N' PLUG FOR CS400 LOW LOSS CABLE			
MATERIAL SEE DRAWING			
FINISH SEE DRAWING			
DRAWN	T.S.	DO.CHECK	K.D.
SCALE	3:1	DIMENSIONS IN mm	
FILE SC1-N-PC400			
TOLERANCES UNLESS OTHERWISE STATED 0 DEC. PLACE ± 0.5 2 DEC. PLACES ± 0.1 1 DEC. PLACE ± 0.2 ANGULAR $\pm 1'$			
DO NOT SCALE	PROJECTION		
C/NOTE	ISSUE	DATE	APPROVAL
01019	1	10.9.04	K.D.
01879	2	21.01.09	K.D.
— DENOTES LATEST ISSUE CHANGES			
THIS DOCUMENT MUST NOT BE COPIED OR DISCLOSED TO A THIRD PARTY WITHOUT THE WRITTEN CONSENT OF PANORAMA ANTENNAS LTD.			
© 2004			A4