

# VHF Offset Dipole

ODP-[VAR]-8BP



## VHF Offset Dipole

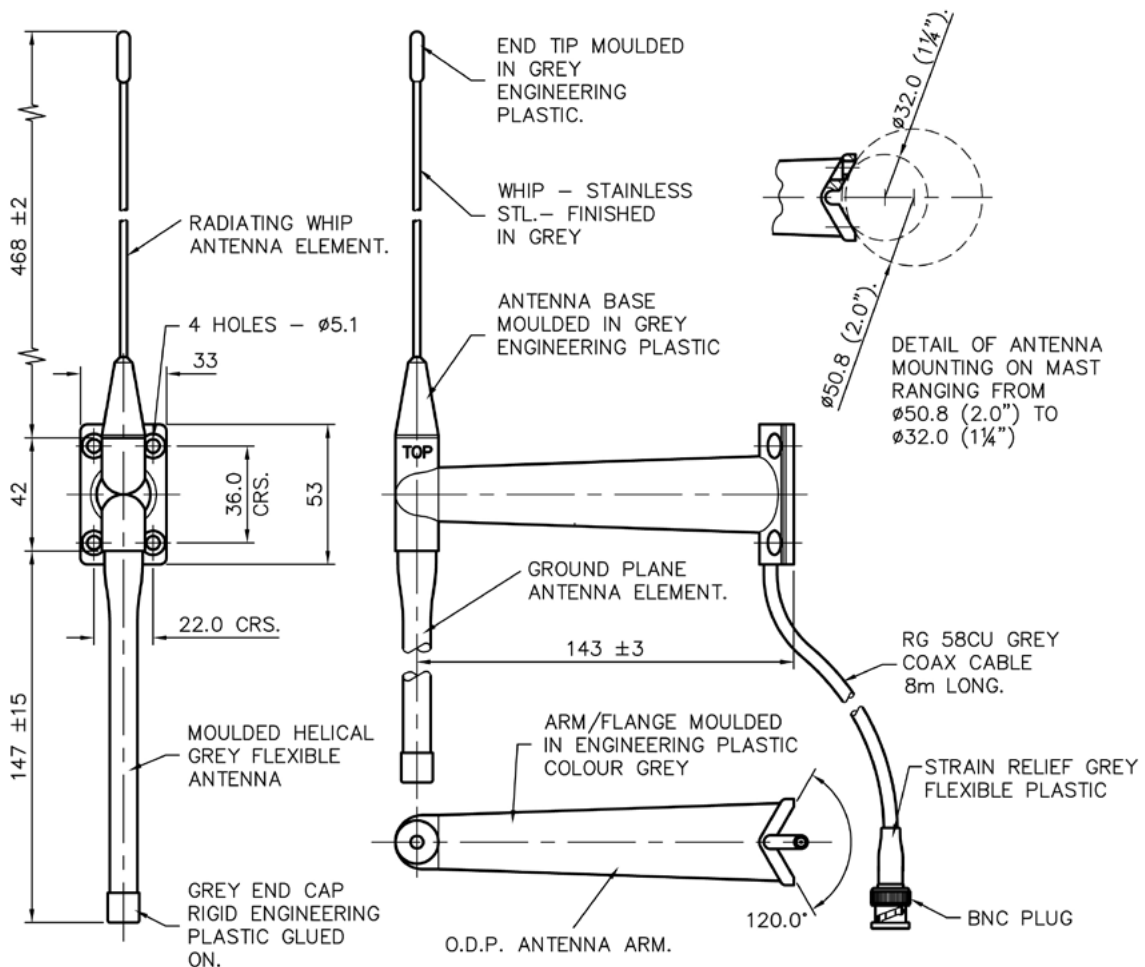
- Ideal for fixed radio terminals
- Easy installation
- Suitable for internal & external use

The ODP is a lightweight remote antenna solution for fixed radio terminals - ideal for network infill or range extension.

With 4 holes for mounting, the ODP is waterproof and can be fitted internally or externally using the wall or mast mount fitment.

### Technical Drawing

### ODP-JRC-8BP



# VHF Offset Dipole

ODP-[VAR]-8BP

PANORAMA  ANTENNAS

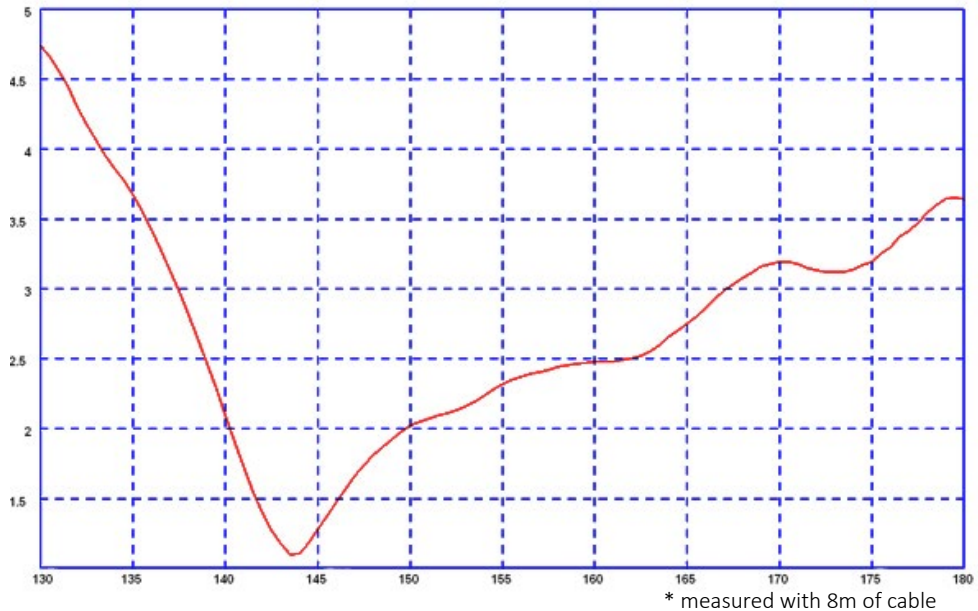
## Product Data

Part No.	ODP-H4-8BP	ODP-H5-8BP	ODP-H6-8BP	ODP-H7-8BP	ODP-JRC-8BP
<b>Electrical Data</b>					
Frequency Range (MHz)	139-157	149-159	156-162	162-174	139-157
Operational Band	H4	H5	H6	H7	JRC
Gain: Isotropic			1 dBi		
Compared to ¼ wave			-1 dB		
Typical VSWR			≤ 2.5:1		
Polarisation			Vertical		
Pattern			Omni directional		
Impedance			50Ω		
Max Input Power (W)			25		
<b>Mechanical Data</b>					
Whip length	473 (18.6")	449 (17.6")	435 (17.1")	412 (16.2")	468 (18.4")
Helical length	149 (5.86")	140 (5.5")	138 (5.4")	134 (5.2")	147 (5.7")
Off-Set from wall (mm)			143 (5.6")		
Operating Temp (°C)			-40° / +80°C (-40° / 176°F)		
Colour			Grey		
Mast diameter range (mm)			50.8 / 32.0 (2"/1.25")		
<b>Cable Data</b>					
Type			RG 58CU		
Length (m)			8 (26')		
Colour			Grey		
Diameter (mm)			5 (0.2")		
Attenuation			0.15db/m @ 150 MHz		
Termination			BNC Plug		

# VHF Offset Dipole

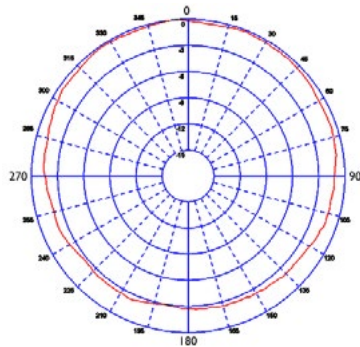
ODP-[VAR]-8BP

## Typical VSWR\*



## Radiation Patterns

Typical H-Plane



Typical E-Plane

