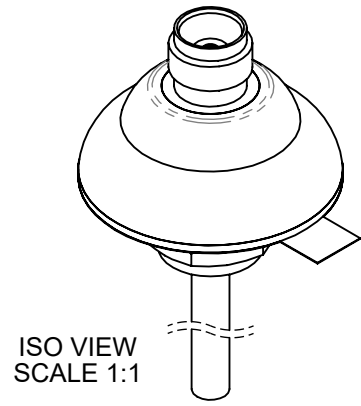


PART No.	LENGTH 'L' +100mm/ -0mm	WEIGHT (g)
ML10-TJ-05	500mm	48
ML10-TJ-08	800mm	76
ML10-TJ-1	1000mm	95
ML10-TJ-2	2000mm	125
ML10-TJ-3	3000mm	155
ML10-TJ	5000mm	227
ML10-TJ-9	9000mm	371
ML10-TJ-10	10000mm	413
ML10-TJ-17	17000mm	623

NOTES:

1. MOULDED COMPONENT TO BE FREE FROM DISTORTION, FLASH, SINK AND FLOW MARKS. COSMETIC SURFACES MUST BE FREE FROM BLEMISHES AND ALL OTHER SURFACE IMPERFECTIONS.
2. REFER TO 3D FILE FOR TOOL MANUFACTURE AND DETAILED DIMENSIONS.
3. GATE POSITION TO BE CONFIRMED BEFORE TOOL MANUFACTURE.
4. MATERIAL: BASE: MOULDED IN NYLON - GRILON TSZ-1 BLACK.
5. COLOUR: BASE: JET BLACK (RAL 9005).
6. FINISH: BASE: FINE SPARK TO 30 VDI (Ra 3.15µm).
7. SAMPLES MUST BE APPROVED BY PANORAMA ANTENNAS Q.C. BEFORE COMMENCING PRODUCTION.
8. SAMPLES MUST BE APPROVED BY PANORAMA ANTENNAS Q.C. BEFORE COMMENCING PRODUCTION.
9. ALL MATERIALS SUPPLIED MUST BE RoHS3 (DIRECTIVE (EU) 2015/863) COMPLIANT AND MUST NOT CONTAIN ANY SUBSTANCES OF VERY HIGH CONCERN (SVHCs) LISTED UNDER REACH OR POLY-AROMATIC HYDROCARBONS (PAHs), OR PERSISTENT ORGANIC POLLUTANTS (POPs) CONTROLLED BY THE STOCKHOLM CONVENTION.



DRG. No.	ML10-TJ-VAR		SHEET 1 OF 2	
PRODUCT/ASSEMBLY	1001 - BASES			
DESCRIPTION	COAXIAL BASE TNC JACK MOUNT - VARIOUS CABLE LENGTHS			
MATERIAL	N/A			
FINISH	SEE NOTES			
WEIGHT	N/A			
APPROVED	KD	DO.CHECK	CL	
SCALE	2:1		DIMENSIONS IN mm	
DO NOT SCALE	3RD ANGLE PROJECTION			
01019	7	10m VARIANT ADDED.	01/06/2015 AR	
01019	8	1m VARIANT ADDED.	07/07/2016 AR	
01019	9	2m VARIANT ADDED.	14/12/2016 AR	
01019	10	17m VERSION ADDED, NOTES AND EIR UPDATED	07/03/2019 IC	
01019	11	0.5m VARIANT ADDED	02/06/2020 AR	
PCN	REV.	DESCRIPTION	DATE DRN	
TOLERANCES UNLESS OTHERWISE STATED				
0 DEC. PLACE	±0.5	2 DEC. PLACES	±0.1	
1 DEC. PLACE	±0.2	ANGULAR	±1°	
	DENOTES LATEST ISSUE CHANGES			DENOTES CRITICAL VALUE
THIS DOCUMENT MUST NOT BE COPIED OR DISCLOSED TO A THIRD PARTY WITHOUT THE WRITTEN CONSENT OF PANORAMA ANTENNAS LTD.				
© 2016			A4	