

DRG. No. CA-SP-TS9F

TITLE  
SMA (M) - TS9 (F)  
ADAPTOR

MATERIAL

FINISH

DRAWN A.G. DO.CHECK K.D.

SCALE 5:1 DIMENSIONS IN mm

TOLERANCES UNLESS OTHERWISE STATED  
0 DEC. PLACE ±0.5 2 DEC. PLACES ±0.1  
1 DEC. PLACE ±0.2 ANGULAR ±1°

DO NOT SCALE PROJECTION

C/NOTE	ISSUE	DATE	APPROVAL
01019	1	16.05.12	K.D.

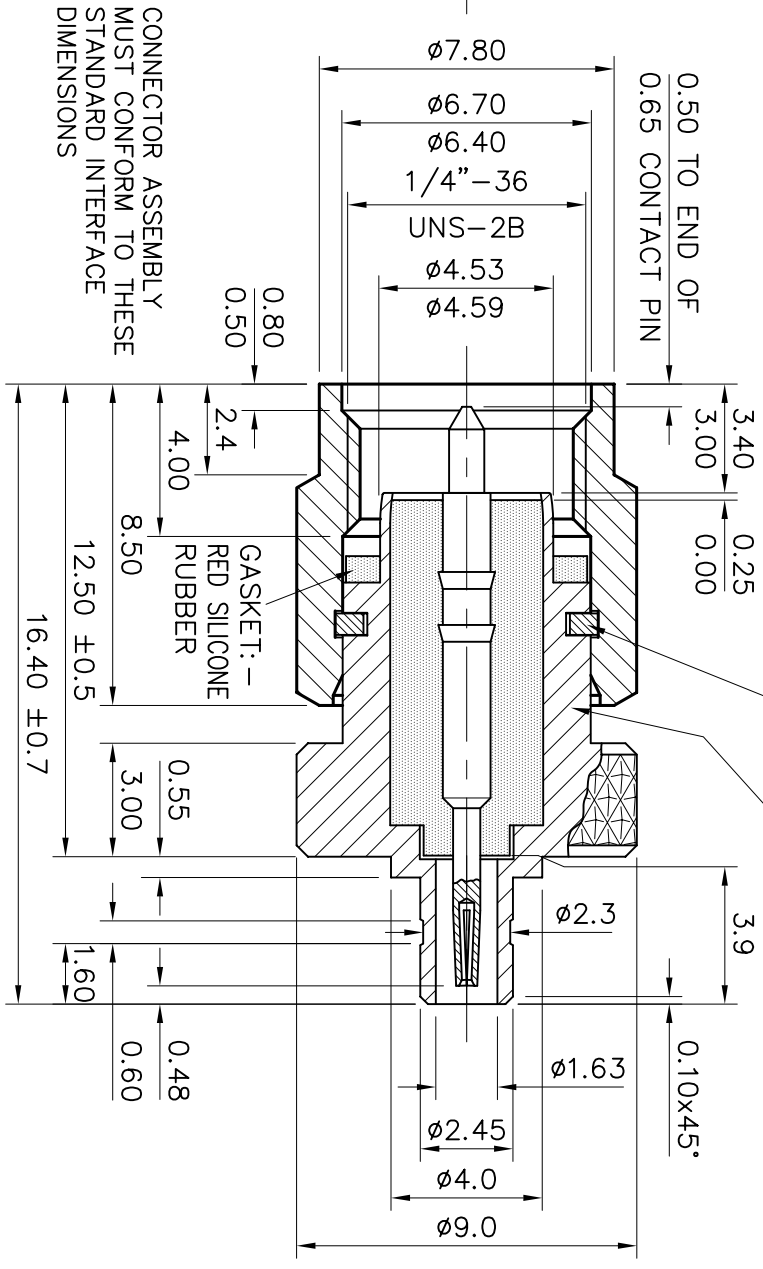
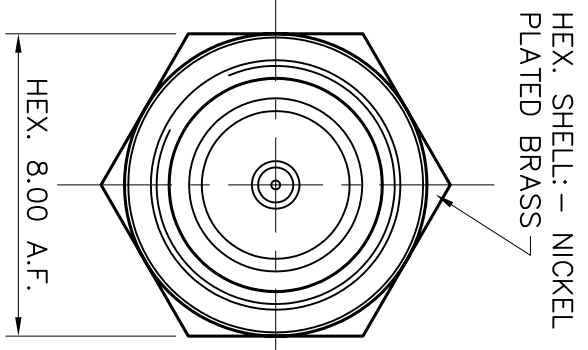

△ DENOTES LATEST ISSUE CHANGES



THIS DOCUMENT MUST NOT BE COPIED OR DISCLOSED TO A THIRD PARTY WITHOUT THE WRITTEN CONSENT OF PANORAMA ANTENNAS LTD.

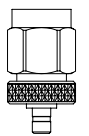
© 2012 A4

NOTE:-  
POSITION OF SMA CONTACT PIN END TO BE MEASURED WITH HEX. SHELL PULLED TO THE LEFT.  
RETAINING CLIP:- BERYLLIUM COPPER  
CONNECTOR BODY:- NICKEL PLATED BRASS WITH P.T.F.E. INSULATOR INSIDE



NOTES :-

1. SAMPLES MUST BE APPROVED BY PANORAMA ANTENNAS Q.C. BEFORE COMMENCING PRODUCTION.
2. ALL MATERIALS USED MUST BE ROHS COMPLIANT.



ACTUAL SIZE

