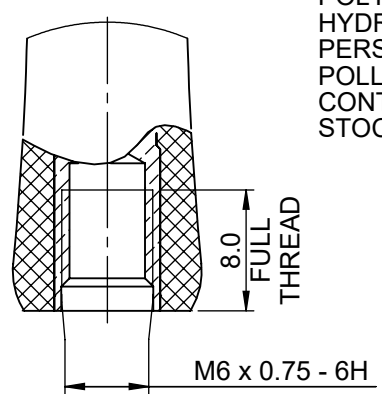
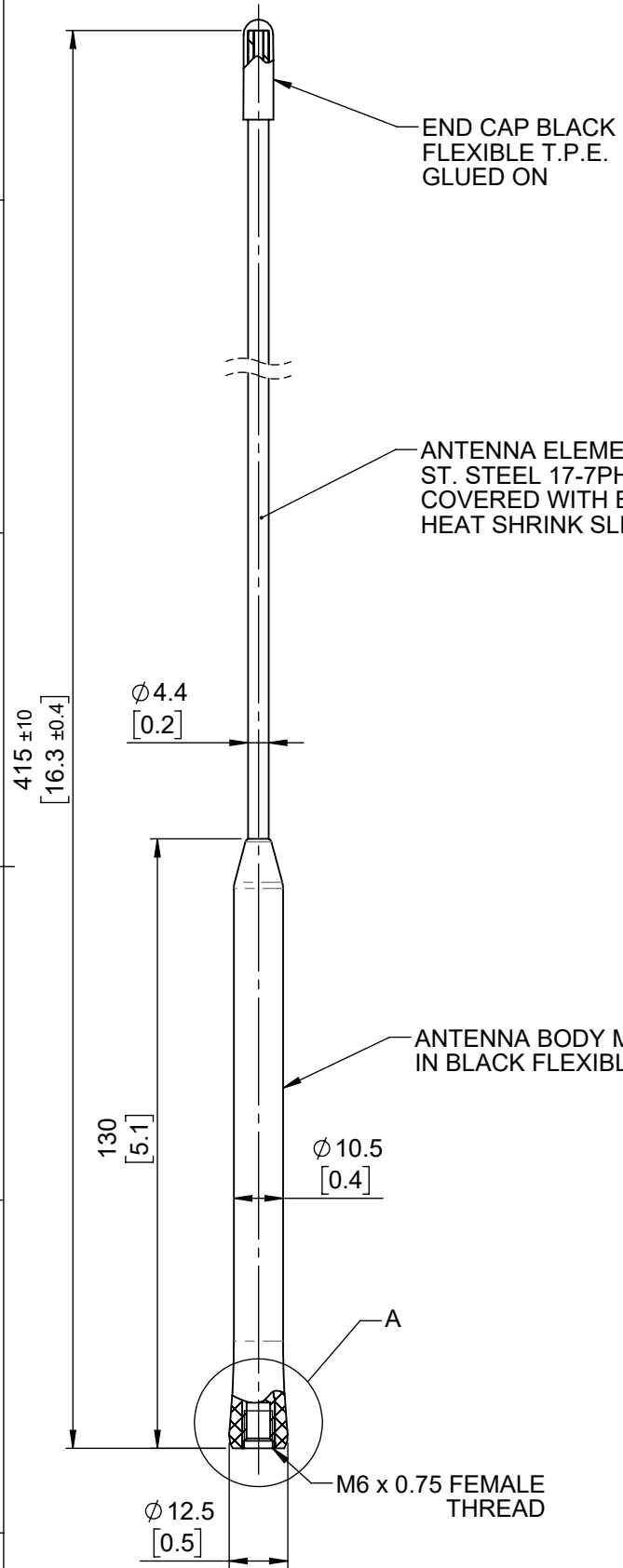


TOLERANCES UNLESS OTHERWISE STATED			
0 DEC. PLACE	±0.5	2 DEC. PLACES	±0.1
1 DEC. PLACE	±0.2	ANGULAR	±1°

A
B
C
D
E



DETAIL A
SCALE 2 : 1

- NOTES:
- COMPONENT TO BE FREE FROM DISTORTION, FLASH, SINK AND FLOW MARKS. COSMETIC SURFACES MUST BE FREE FROM BLEMISHES AND ALL OTHER SURFACE IMPERFECTIONS.
 - REFER TO 3D FILE FOR TOOL MANUFACTURE AND DETAILED DIMENSIONS.
 - GATE POSITION TO BE CONFIRMED BEFORE TOOL MANUFACTURE.
 - MATERIAL: FLEXIBLE TPU. ALTERNATIVE MATERIALS MUST BE APPROVED BY PANORAMA ANTENNAS.
 - COLOUR: SIGNAL BLACK (RAL 9005).
 - EXTERNAL FINISH: FINE SPARK TO 24 VDI (Ra 1.6µm).
 - INTERNAL FINISH: FINE MACHINE FINISH PERMITTED.
 - SAMPLES MUST BE APPROVED BY PANORAMA ANTENNAS Q.C. BEFORE COMMENCING PRODUCTION.
 - ALL MATERIALS SUPPLIED MUST BE RoHS COMPLIANT AND MUST NOT CONTAIN ANY SUBSTANCES OF VERY HIGH CONCERN (SVHCs) LISTED UNDER REACH OR POLY-AROMATIC HYDROCARBONS (PAHs), OR PERSISTENT ORGANIC POLLUTANTS (POPs) CONTROLLED BY THE STOCKHOLM CONVENTION.

PRODUCT/ASSEMBLY AFGB-832-S4					DESCRIPTION ANTENNA ELEMENT 3dB 764 - 900Mhz / 0dB 450 - 470MHZ								
MATERIAL N/A													
01019	1	PRODUCTION ISSUE. NOTES ADDED. DETAIL 'A' ADDED.	04/03/2015	ATB	FINISH	N/A	APPROVED	PE	D.O.CHECK	IC	SCALE	2:3	DIMENSIONS IN mm
01019	2	INTERNAL COMPONENTS UPDATED - SE1-0100 ADDED	17/08/2018	CL									
PCN	REV.	DESCRIPTION	DATE	DRN	WEIGHT	42.17g	SHEET 1 OF 1						