



WM11-AEP3G-03SP & WM11-DEP3G-03SP

Wall Mount Directional Antenna

- Wall Mount or Mast Mount Options
- Water Proof Housing
- Multi Band
- High Gain

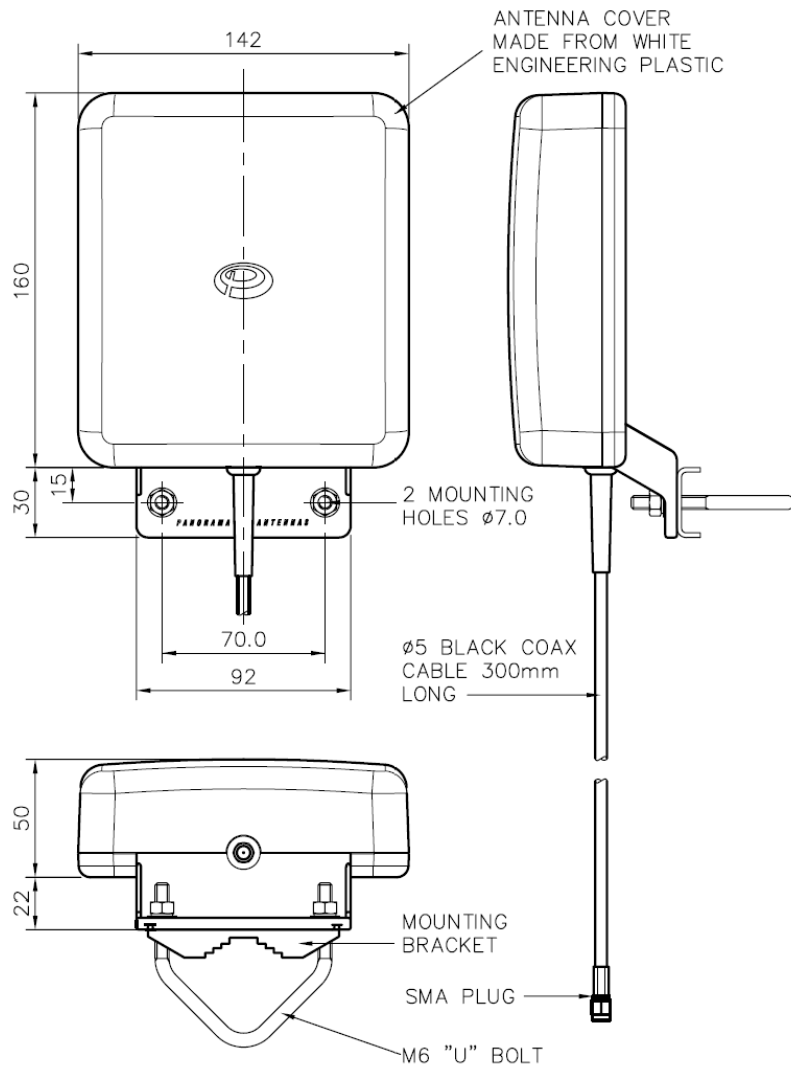


Kit consists of:

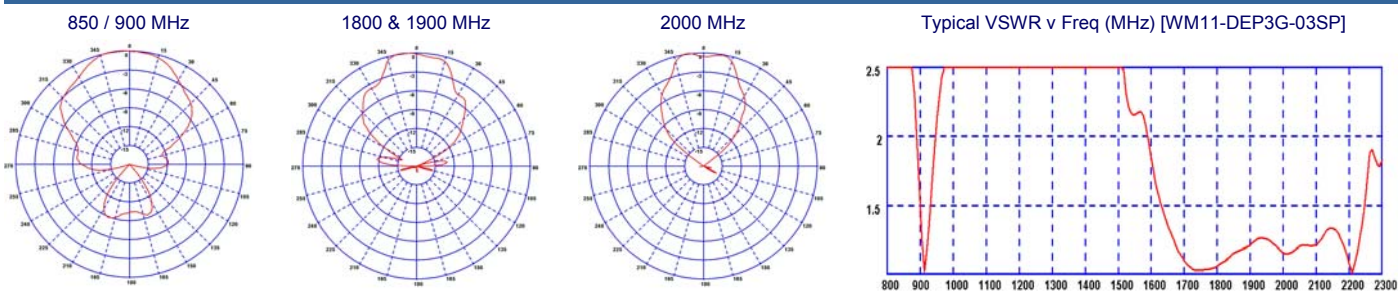
Wall mount antenna, 0.3m white coax cable with SMA plug fitted.

Part No	Frequency
WM11-AEP3G-03SP	800MHz, 1800MHz, 1900MHz & 2170MHz
WM11-DEP3G-03SP	900MHz, 1800MHz, 1900MHz & 2170MHz

Technical Drawing



Performance



Part No.

	WM11-AEP3G-03SP	WM11-DEP3G-03SP
--	-----------------	-----------------

Electrical Data

Frequency Range (MHz)	805 - 894, 1710 - 2170	890 - 960, 1710 - 2170
Operational Bands	GSM850 / CDMA 800 GSM1800 PCS1900 3G UMTS	GSM900 GSM1800 PCS1900 3G UMTS
VSWR	≤ 2.0:1	≤ 2.0:1
Gain: Isotropic	GSM850 / GSM900	8dBi
	GSM1800 & PCS1900	9dBi
	3G UMTS	11dBi
Compared to ¼ wave	GSM850 / GSM900	6dB
	GSM1800 & PCS1900	7dB
	3G UMTS	9dB
Polarisation	Vertical	Vertical
Pattern	Directional	Directional
Impedance	50Ω	50Ω
Max Input Power (W)	20	20
Mechanical Data		
Dimensions (mm)	Height	160
	Width	142
	Depth	50
Operating Temp (°C)	-40° / +80°C	-40° / +80°C
Material	Engineering Plastic	Engineering Plastic
Colour	White	White
Weight (kg)	0.4	0.4
Mounting Data		
Fixing	Pole Mount / Wall Mount	Pole Mount / Wall Mount
Pole Diameter (mm)	20 - 50	20 - 50
Environmental Specification		
Wind Load / Resistance	63N at 180kh/h	63N at 180kh/h
Wind Surface (m²)	0.02	0.02
Cable Data		
Type	Co-Axial Cable	Co-Axial Cable
Length (m)	0.3	0.3
Colour	Black	Black
Termination	SMA Plug	SMA Plug